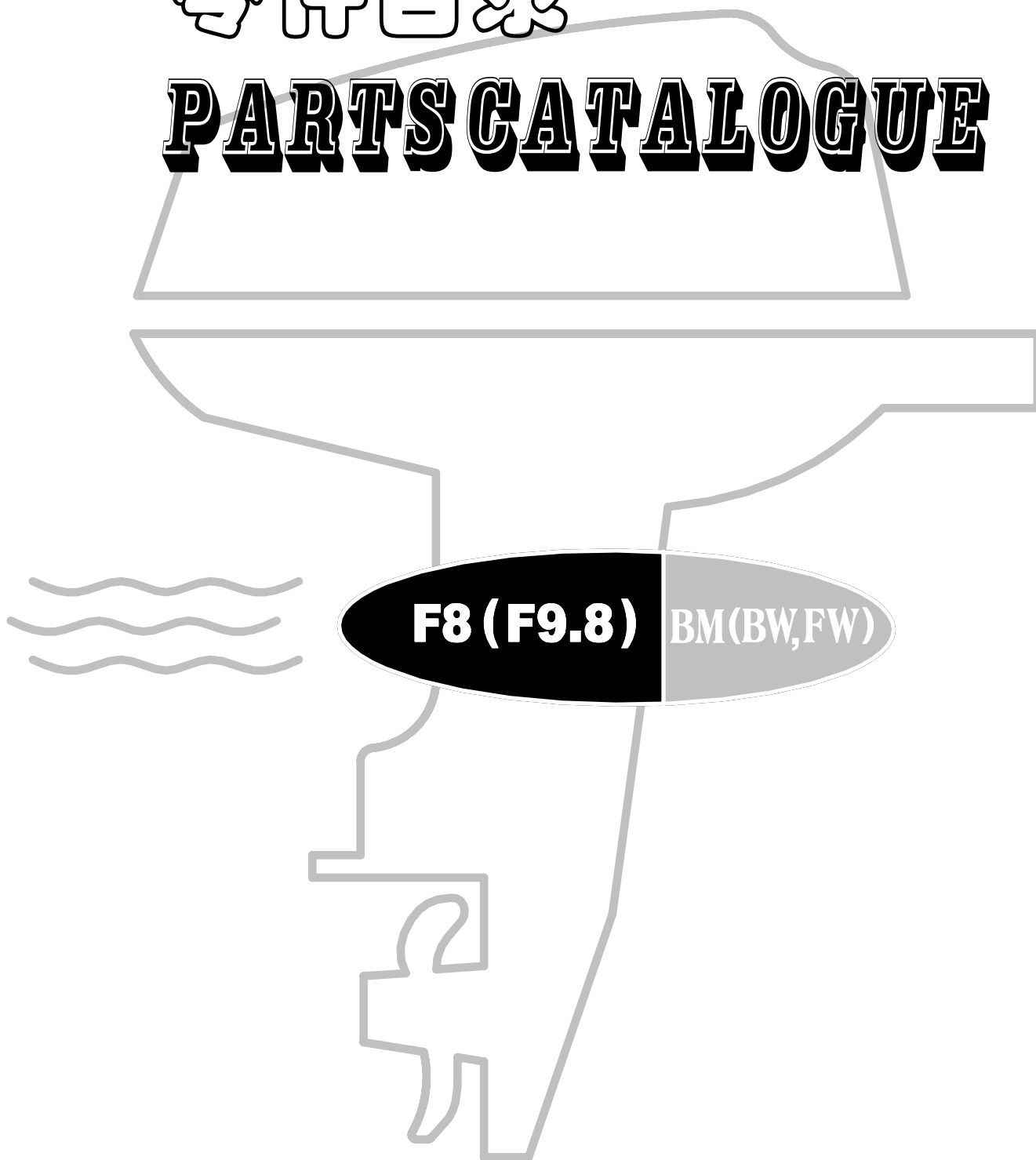


2020

零件目录

PARTS CATALOGUE



苏州百胜动力机器股份有限公司

SUZHOU PARSUN POWER MACHINE CO., LTD

目次

CONTENTS

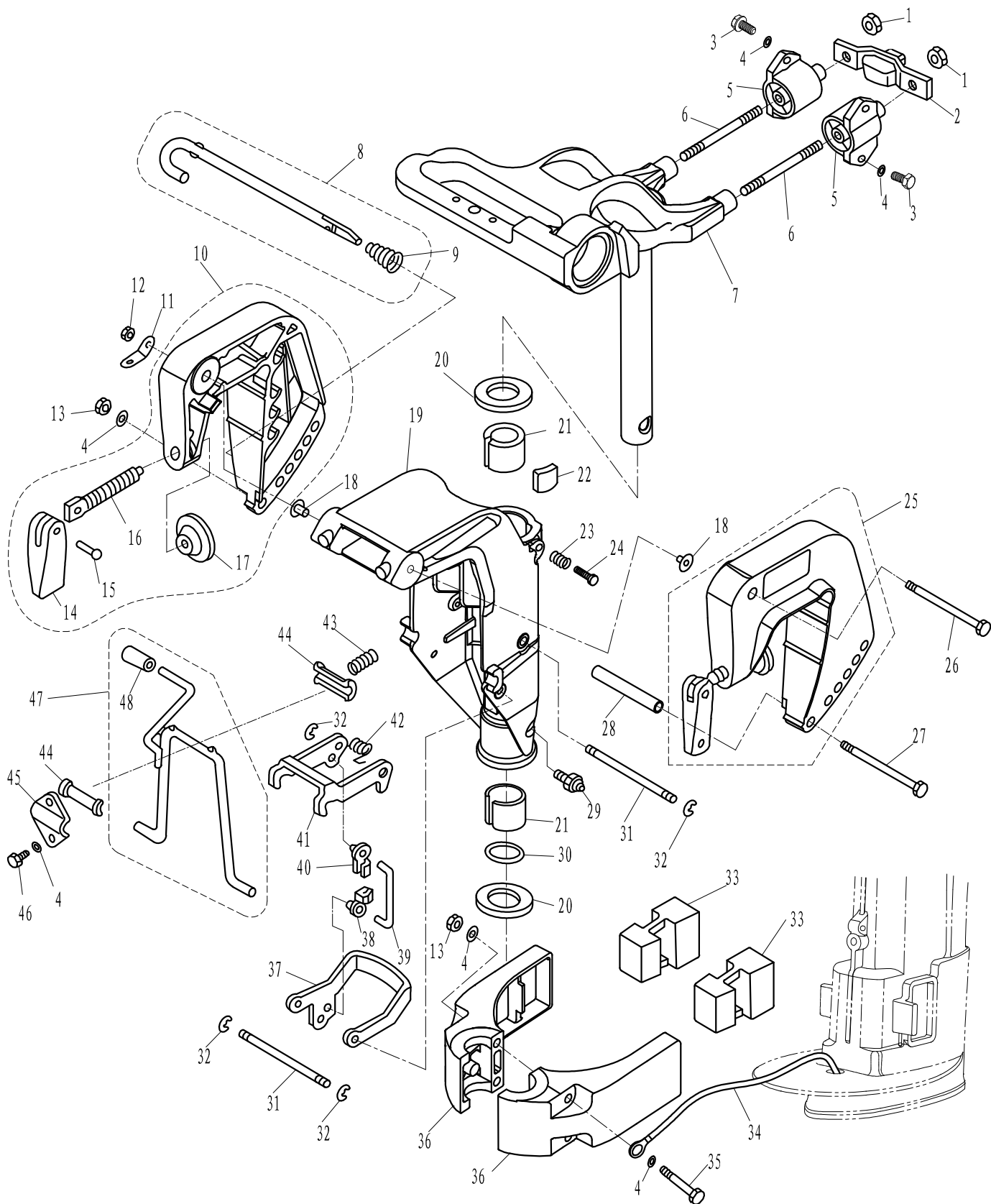
托架 1	1 ~ 2
BRACKET 1	1 ~ 2
托架 2	3 ~ 4
BRACKET 2	3 ~ 4
操舵系统	5 ~ 6
STEERING	5 ~ 6
操纵盒组件	7 ~ 9
CONTROL BOX ASSY	7 ~ 9
水上装置壳体	10 ~ 11
UPPER CASING	10 ~ 11
底罩	12 ~ 13
BOTTOM COWLING	12 ~ 13
控制系统 1	14 ~ 15
CONTROL SYSTEM 1	14 ~ 15
控制系统 2	16
CONTROL SYSTEM 2	16
控制系统 3	17
CONTROL SYSTEM 3	17
水下装置壳体&驱动系统	18 ~ 20
LOWER CASING & DRIVE	18 ~ 20
电气 1	21 ~ 22
ELECTRICAL 1	21 ~ 22
电气 2	23 ~ 24
ELECTRICAL 2	23 ~ 24
进气系统	25
INTAKE	25
气缸头	26
CYLINDER HEAD	26
曲轴&活塞	27
CRANKSHAFT & PISTON	27
曲轴箱	28 ~ 29
CRANKCASE	28 ~ 29
阀门	30
VALVE	30
凸轮轴	31
CAMSHAFT	31
燃油系统	32
FUEL SYSTEM	32
起动机	33 ~ 34
STARTER	33 ~ 34
顶罩组件	35 ~ 36
TOP COWLING ASSY	35 ~ 36

零部件名称:

托架

PARTS NAME:

BRACKET



SN. 参照号码	PART NO. 零件编号	DESCRIPTION 零件名称 (中文)	DESCRIPTION 零件名称 (英文)	QTY 数量			REMARKS 备注
1	GB/T889.1-M8	I型非金属嵌件六角锁紧螺母 M8	NUT M8	2			
2	F8-00000100	前减震块	FRONT ABSORBER	1			
3	GB/T5783-M6X20	六角螺栓 M6X20	BOLT M6x20	4			
4	GB/T97.1-6	平垫圈 6	WASHER 6	11			
5	F8-02000100	减震器组件	ABSORBER ASSY	2			

零部件名称:

托架

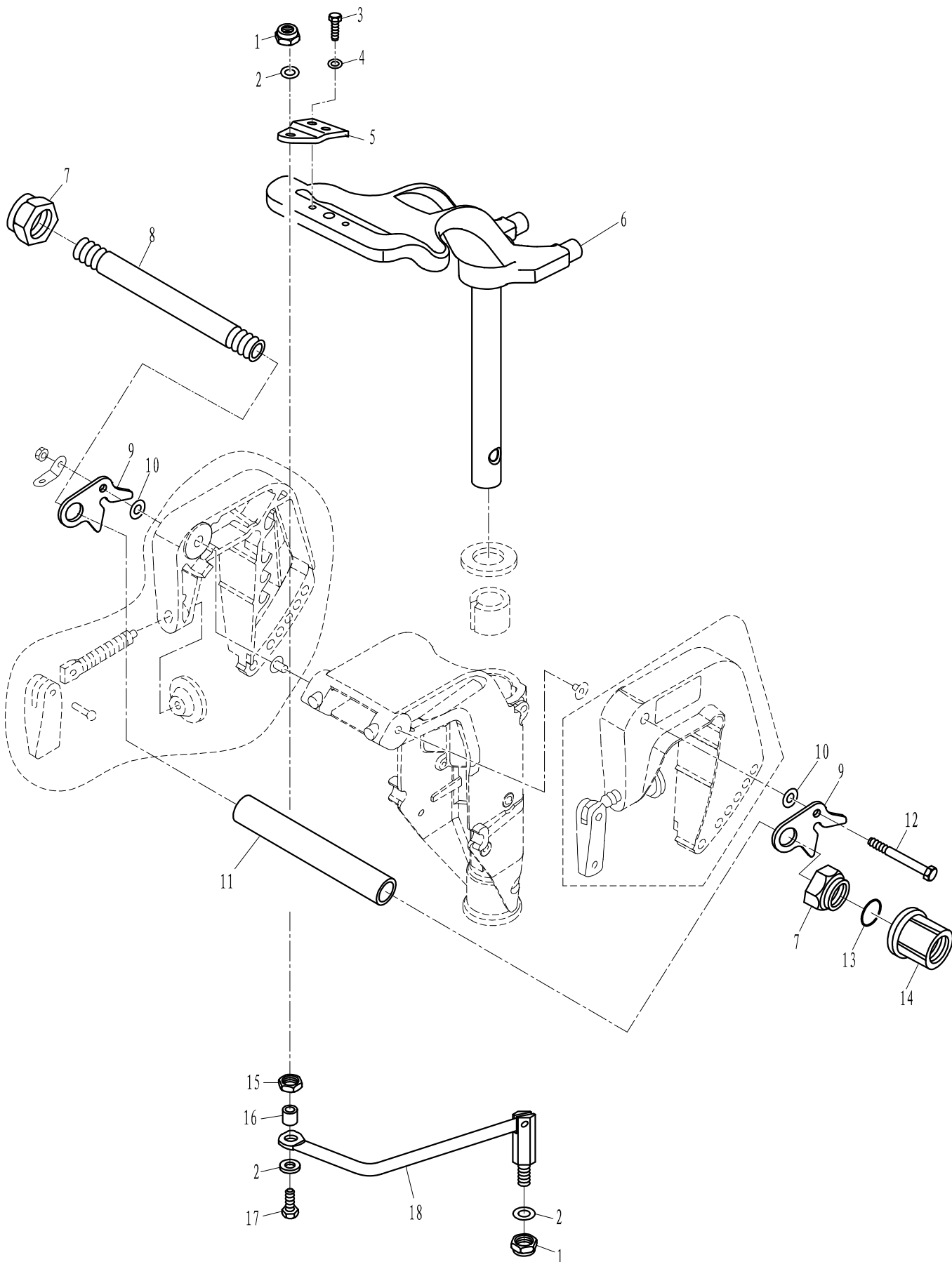
PARTS NAME:

BRACKET

SN. 参照号码	PART NO. 零件编号	DESCRIPTION 零件名称(中文)	DESCRIPTION 零件名称(英文)	QTY 数量				REMARKS 备注
6	F8-0100003	双头螺栓 M8X65	DICEPHALOUS BOLT M8X65	2				
7	F8-0102000	操舵托架组件	STEER BRACKET ASSY	1				
8	F8-01010200	角度调整杆组件	THRUST ROD ASSY	1				
9	F4-01050002	锥形弹簧	CONICAL SPRING	1				
10	T6-01010400	夹紧托架(左)组件	BRACKET ASSY (LEFT)	1				
11	F4-01000002	双孔固定板	PLATE, TWO HOLE	1				
12	GB/T889.1-M8	非金属嵌件六角螺母 M8	NUT M8	1				
13	GB/T6170-M6	六角螺母 M6	NUT M6	3				
14	F4-01010004	艏板夹紧手柄	CLAMP HANDLE, STERN	2				
15	F4-01010005	艏板夹紧手柄铆钉	RIVET, CLAMP HANDLE	2				
16	F4-01010002	艏板夹紧螺杆	CLAMP SCREW	2				
17	F4-01010003	艏板夹紧圆盘	CLAMP PAD	2				
18	F4-01000003	尼龙垫圈	WASHER, NYLON	2				
19	F8-01010101	旋转支架	ROTARY BRACKET	1				
20	F8-01000001	旋转支架垫圈	WASHER, ROTARY BRACKET	2				
21	F8-01000002	旋转支架衬套	BUSHING, ROTARY BRACKET	2				
22	F8-01000100	锁紧块组件	LOCKING BLOCK ASSY	1				
23	F8-01010102	锁紧弹簧	SPRING, LOCKING	1				
24	GB/T5783-M8X30	六角螺栓 M8X30	BOLT M8X30	1				
25	T6-01010300	夹紧托架(右)组件	BRACKET ASSY (RIGHT)	1				
26	GB/T5782-M8X140	六角螺栓 M8X140	BOLT M8X140	1				
27	GB/T5782-M6X130	六角螺栓 M6X130	BOLT M6X130	1				
28	F8-01010001	螺栓垫管	TUBE, BOLT	1				
29	JB/T7940.1-M6	直通式压注油杯 M6	OILER M6	1				
30	JASO F404 35-022	O型圈 $\phi 22.4 \times \phi 3.5$	O-RING $\phi 22.4 \times \phi 3.5$	1				
31	F8-01010108	旋转支架销轴	SHAFT, ROTARY BRACKET	2				
32	GB/T896-5	开口挡圈 5	CIRCLIP 5	4				
33	F8-00000002	减震块	ABSORBER	2				
34	T15-02010100	接地钢索 B	TIGHTWIRE B	1				
35	GB/T5782-M6X75	六角螺栓 M6X75	BOLT M6X75	2				
36	F8-00000001	减震块外壳	SHELL, ABSORBER	2				
37	F8-01010106	旋转支架外架	OUTER FRAME, ROTARY BRACKET	1				
38	F8-01010112	外架连杆接头	TIE-IN, CONNCTING ROD	1				
39	F8-01010110	内架连杆	CONNCTING ROD, INNER FRAME	1				
40	F8-01010111	内架连杆接头	TIE-IN, CONNCTING ROD	1				
41	F8-01010107	旋转支架内架	INNER FRAME, ROTARY BRACKET	1				
42	F8-01010109	内架扭簧	SPRING, WREST	1				
43	F8-01010104	支撑架弹簧	SPRING, SUPPORT	1				
44	F8-01010103	支撑架尼龙衬套	BUSHING	2				
45	F8-01010105	支撑架压板	PRESS PLATE	1				
46	GB/T5783-M6X12	六角螺栓 M6X12	BOLT M6X12	2				
47	F8-01010300	角度定位支撑架组件	SUPPORT ASSY	1				
48	F4-01030103	手柄套	HANDLE COVER	1				

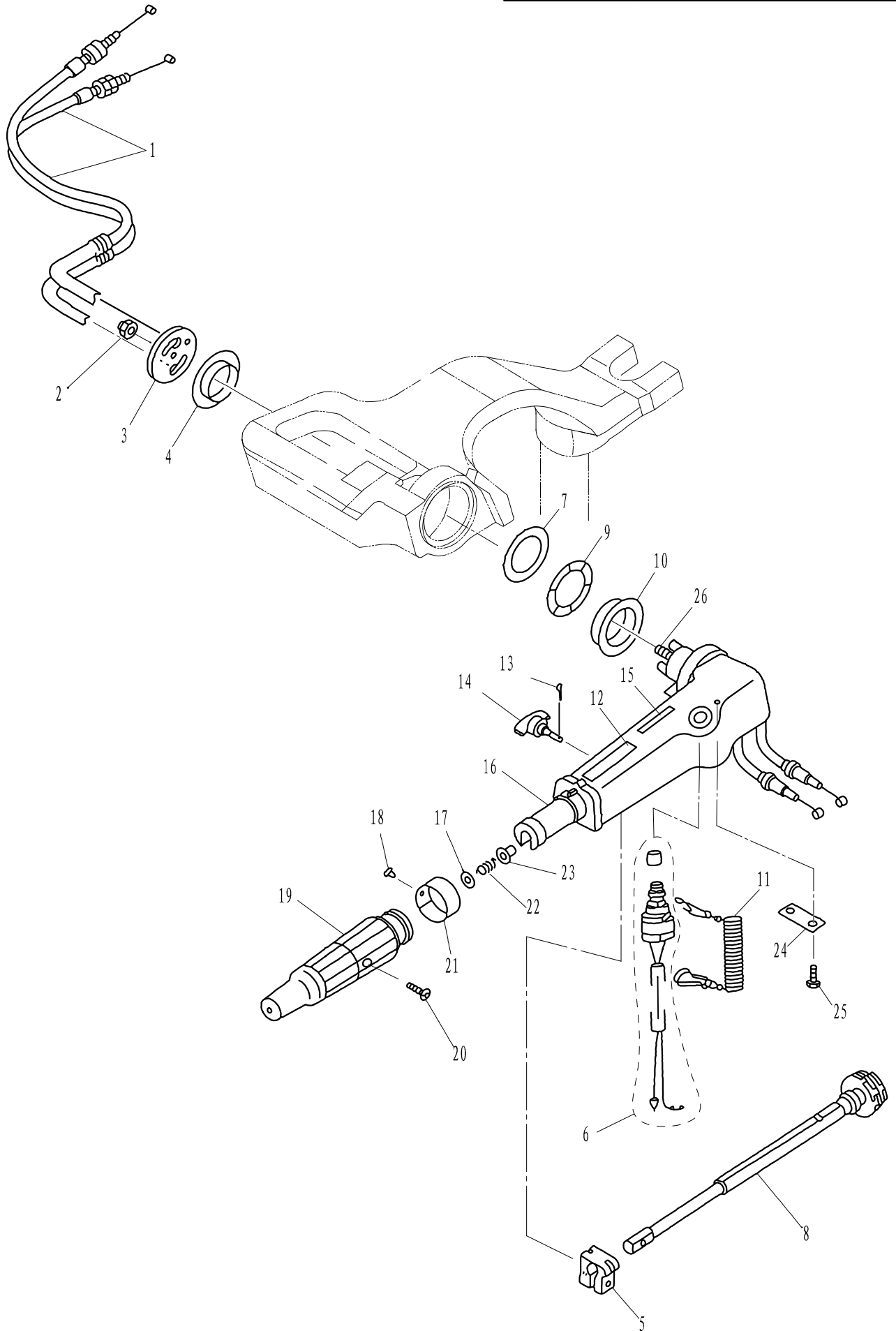
零部件名称: 托架 2

PARTS NAME: BRACKET 2



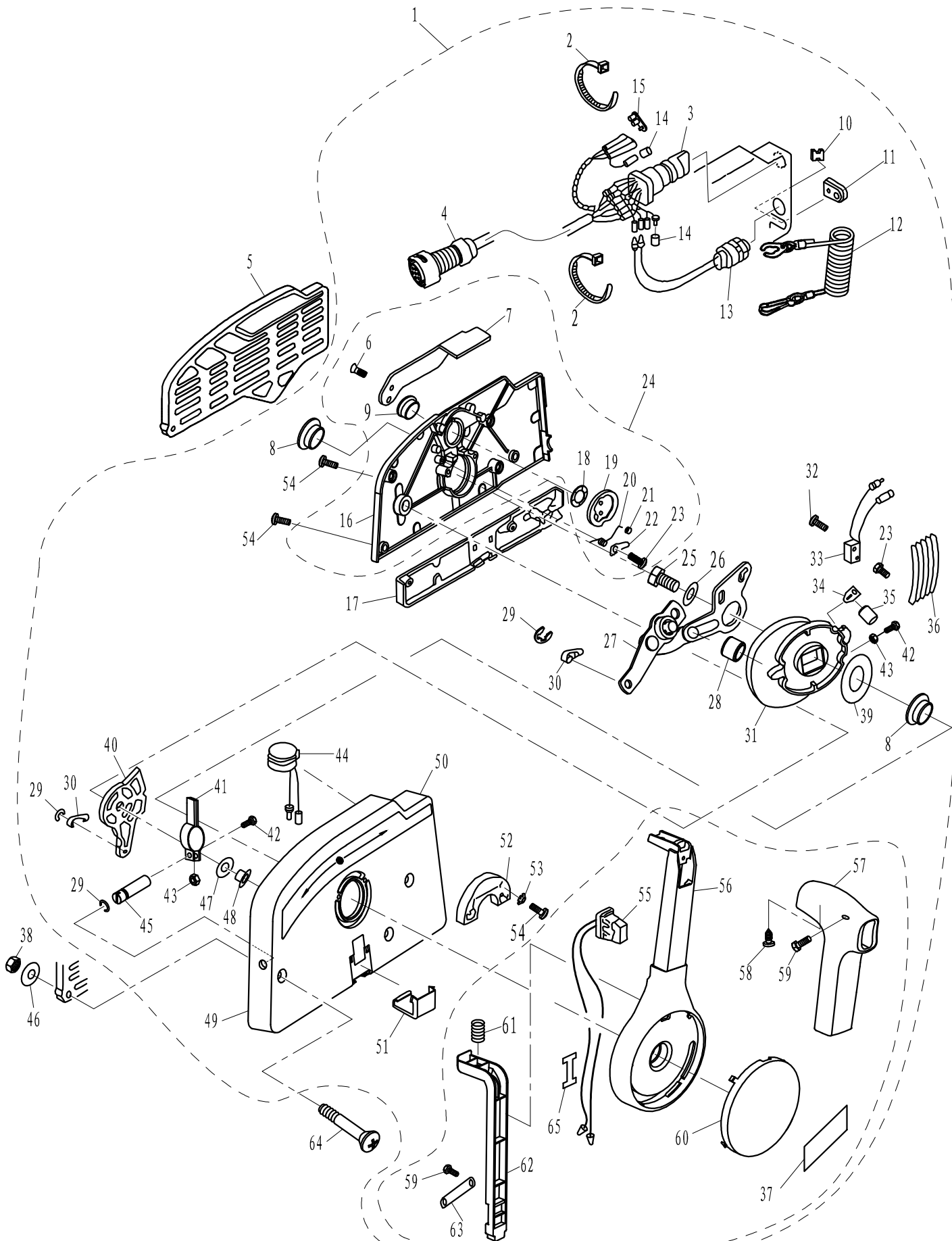
零部件名称: 操舵系统

PARTS NAME: STEERING



零部件名称: 操纵盒组件

PARTS NAME: CONTROL BOX ASSY



零部件名称:

操纵盒组件

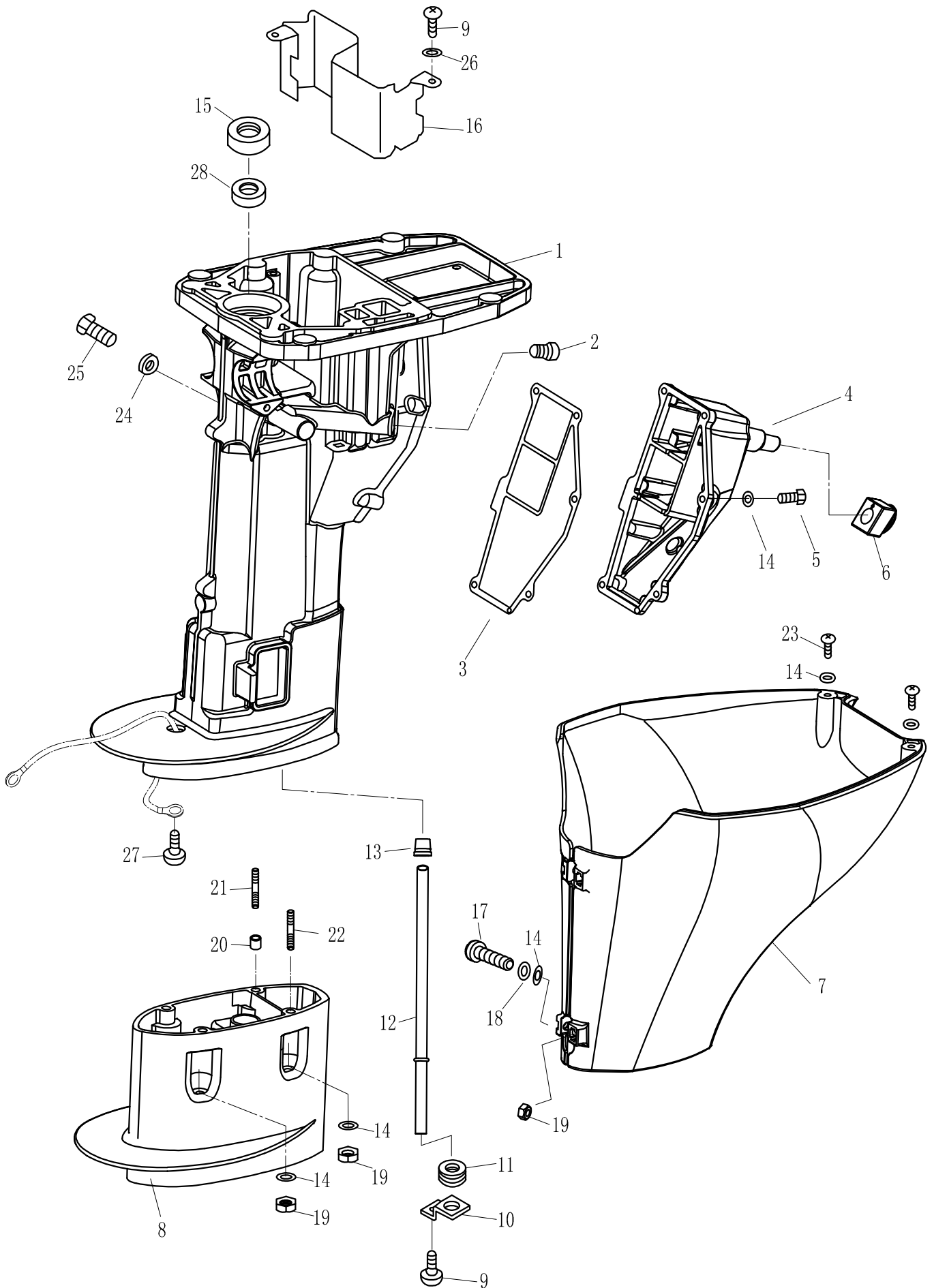
PARTS NAME:

CONTROL BOX ASSY

SN. 参照号码	PART NO. 零件编号	DESCRIPTION 零件名称(中文)	DESCRIPTION 零件名称(英文)	QTY 数量					REMARKS 备注
1	F15-1300000W	操纵盒组件	CONTROL BOX ASS'Y	1					
2	HT2.5*60	尼龙扎带	CLAMP	2					
3	F15-13000200W	起动开关组件	STARTING SWICH ASS'Y	1					
4	T85-08010100	操纵线索	CONTROL CABLE	1					
5	F15-11000002W	操纵盒安装板	PLATE ,CONTROL BOX	1					
6	GB/T819.2-M5x12	十字槽沉头螺钉 M5x12	SCREW PAN HEAD M5X12	2					
7	F15-13020007W	油门微调手柄	THROTTLE HANDLE ,INCHING	1					
8	F15-13000005W	凸轮机构衬套	BUSH ,CAM	2					
9	F15-13020006W	微调手柄衬套	BUSH ,HANDLE	1					
10	F15-11000001W	钢索橡胶垫块	BLOCK ,RUBBER	1					
11	F15-13000014W	线索护套	JACKET ,CABLE	1					
12	F4-01090401	引擎停止安全索	STOPER ,HANG ROPE ASS'Y	1					
13	F15-13000400W	急停开关组件	ENGINE STOP SWICH ASS'Y	1					
14	F15-13000203W	绝缘堵头 B	INSULATED PLUG "B"	2					
15	F15-13000202W	绝缘堵头 A	INSULATED PLUG "A"	1					
16	F15-13020001W	操纵盒盖	COVER ,CONTROL BOX	1					
17	F15-13000013W	操纵盒小盖板	SMALL COVER ,CONTROL BOX	1					
18	F15-13020005W	波形垫圈 B	WASHER "B" ,WAVE	1					
19	F15-13020100W	锁紧圆盘组件	LOCKED DISK ASS'Y	1					
20	F15-13020002W	扭簧	TORSION SPRING	1					
21	F15-13020003W	互锁滑轮	EACH LOCKED PULLEY	1					
22	F15-13020004W	滑轮弹簧压板	PLATE ,PULLEY SPRING	1					
23	GB/T818-M4x6	十字槽盘头螺钉M4x6	PAN HEAD SCREW M4X6	2					
24	F15-13020000W	操纵盒盖组件	COVER ASS'Y,CONTROL BOX	1					
25	GB/T5783-M8x30	六角螺栓 M8x30	BOLT M8X30	1					
26	GB/T97.1-8	平垫圈 8	WASHER 8	1					
27	F15-13000500W	油门控制机构	MACHINE ,CONTROL ACCELEROGRAPH	1					
28	F15-13000007W	销轴垫圈	WASHER	1					
29	GB/T896-6	开口挡圈 6	PIN ,COTTER 6	3					
30	F25-07000007W	操控钢索接头 B	CONTROL CABLE TIE-IN "B"	2					
31	F15-13000002W	凸轮机构	CAM MECHANISM	1					
32	GB/T818-M3x14	十字槽盘头螺钉M3x14	PAN HEAD SCREW M3X14	2					
33	F15-13000800W	微动开关	INCHING SWITCH	1					
34	F15-13000003W	档位弹簧片压板	PLATE	1					
35	F15-13000004W	档位滑轮	PULLEY	1					
36	F15-13000001W	档位弹簧片 B	SHIFT SPRING PLATE "B"	5					
37	F15-12000016W	标贴 16	MARK 16	1					
38	GB/T6170-M6	六角螺母 M6	NUT M6	3					
39	F15-13000008W	凸轮机构减磨片	WEARABLE PLATE ,CAM MACHANISM	1					
40	F15-13000700W	变档摆杆	SHIFT SWING LINK	1					
41	F15-13000601W	调节器固定板组件	ADJUSTER FASTNESS ASSY	1					
42	GB/T5783-M5x25	六角螺栓 M5x25	BOLT M5x25	2					
43	GB/T6170-M5	六角螺母 M5	NUT M5	2					

零部件名称: 水上装置壳体

PARTS NAME: UPPER CASING

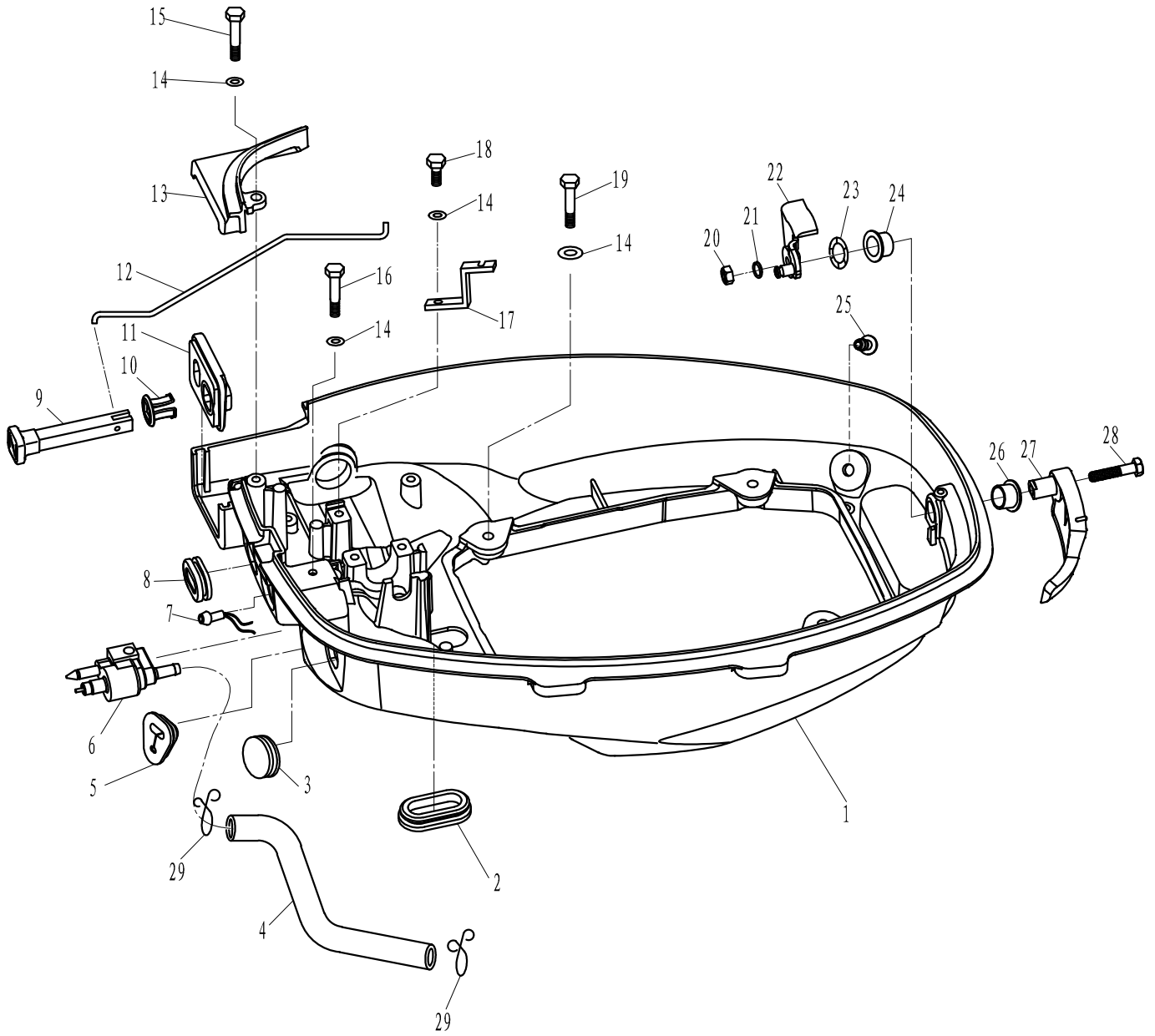


零部件名称:

底罩

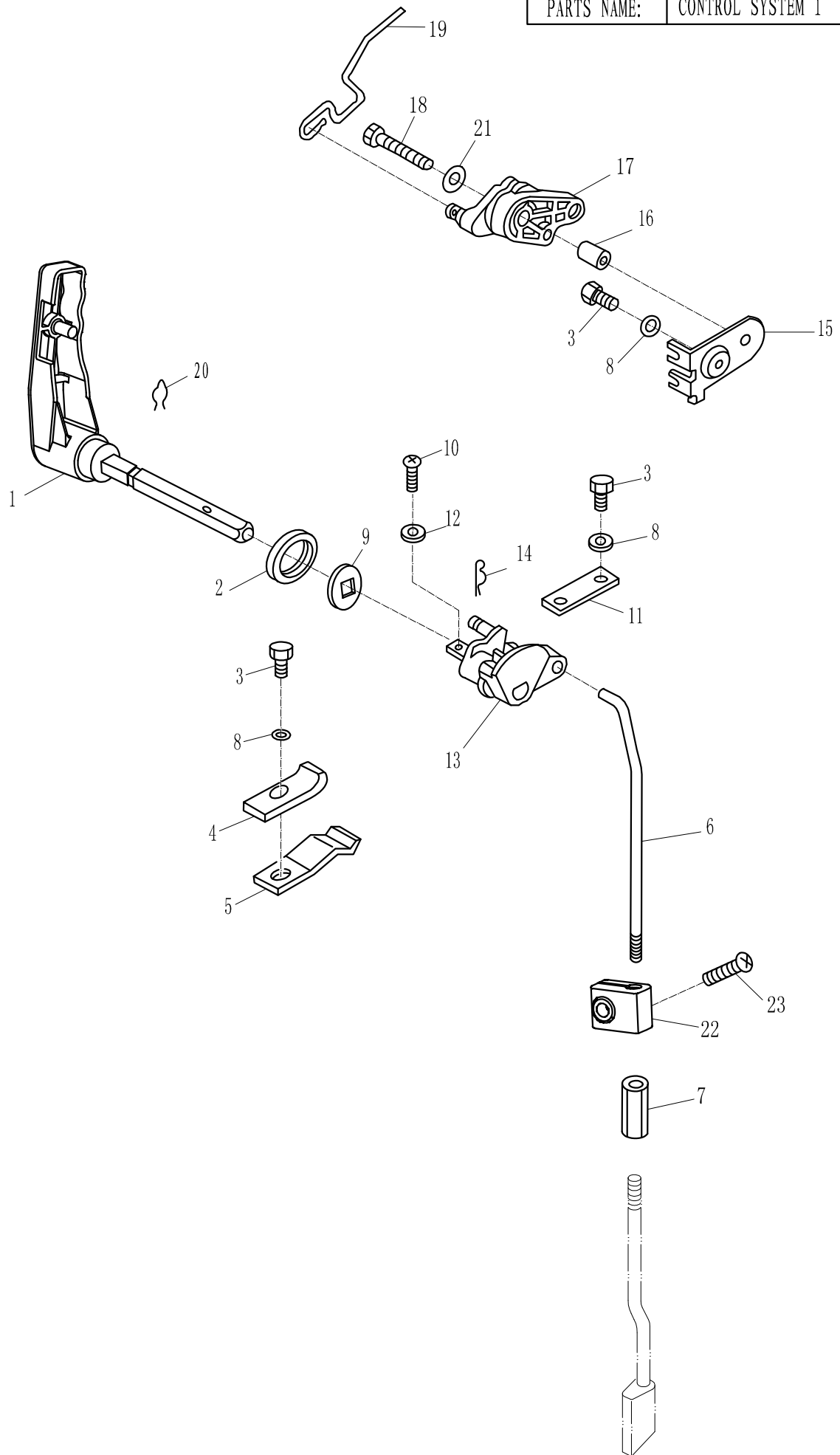
PARTS NAME:

BOTTOM COWLING



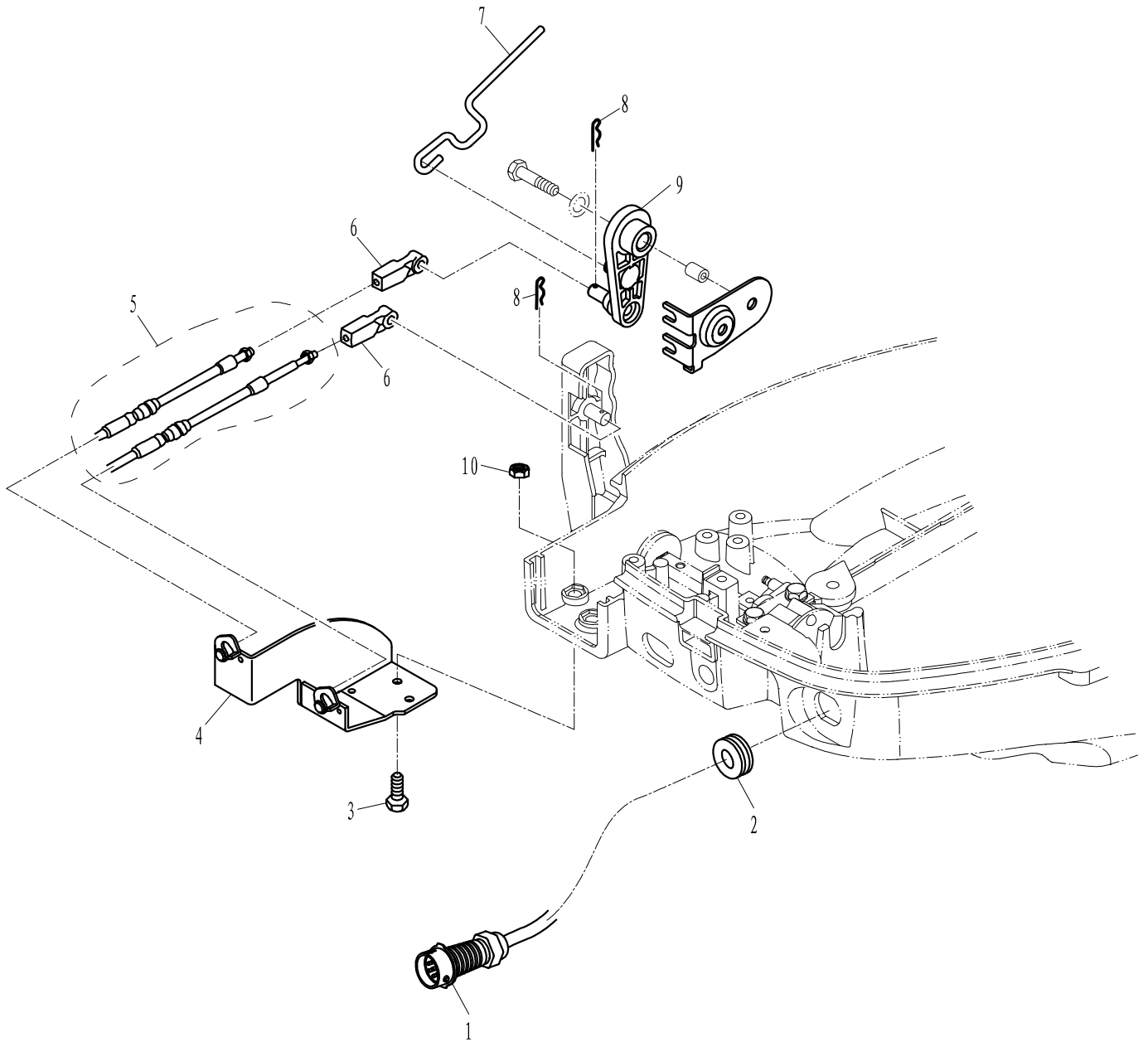
零部件名称: 控制系统 1

PARTS NAME: CONTROL SYSTEM 1



零部件名称: 控制系统 2

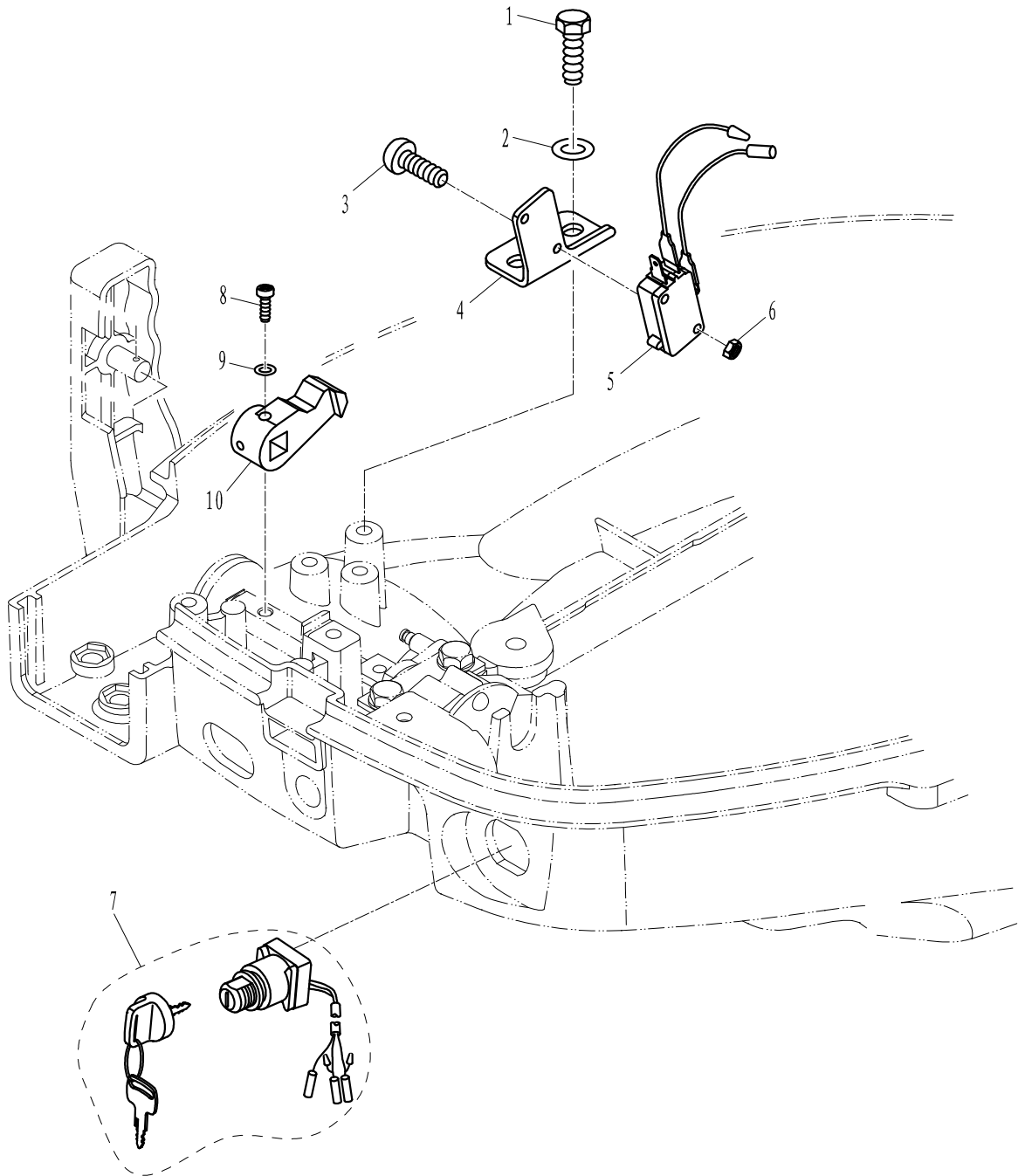
PARTS NAME: CONTROL SYSTEM 2



SN. 参照号码	PART NO. 零件编号	DESCRIPTION 零件名称(中文)	DESCRIPTION 零件名称(英文)	QTY 数量					REMARKS 备注
1	F8-05090100W	点火线束 (7芯导线)	C. D. I CABLE	1					
2	F8-03000015FW	堵塞	JAM	1					
3	GB/T5783-M6x16	六角螺栓 M6x16	BOLT M6x16	2					
4	F8-09000200W	钢索固定架组件	CABLE BRACKET ASSY	1					
5	F25-07000200W	操控钢索组件	CONTROL CABLE ASSY	2					
6	F25-07000005W	操控钢索接头A	TIE-IN A, CONTROL CABLE	2					
7	F8-09000001W	油门控制连杆B	LINK B, ACCELEROGRAPH	1					
8	F15-00000012	夹簧 $\phi 1.8$	CIRCLIP $\phi 1.8$	2					
9	F8-09000100W	摇臂	ROCKER	1					
10	GB/T6170-M6	六角螺母 M6	NUT M6	2					

零部件名称: 控制系统 3

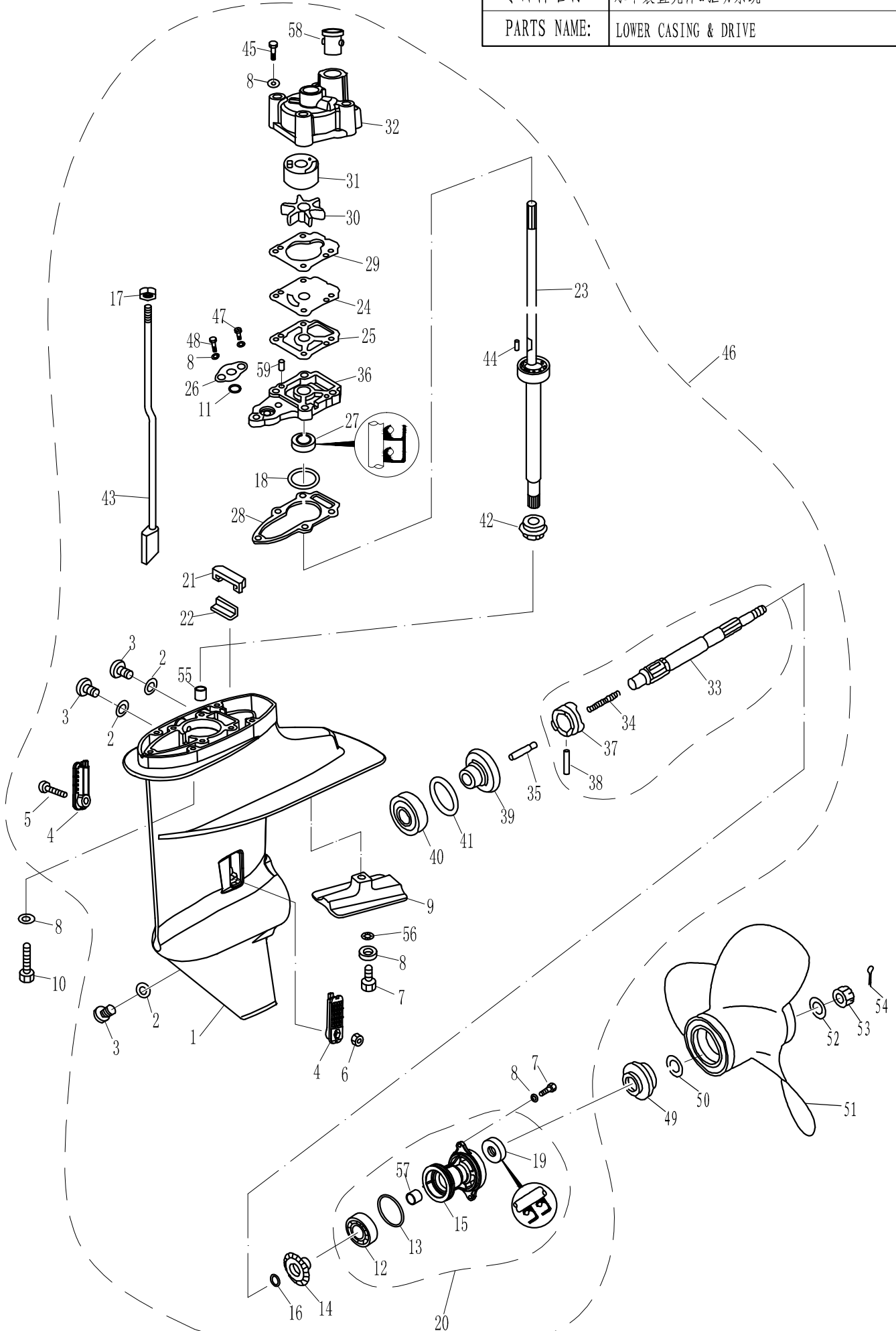
PARTS NAME: CONTROL SYSTEM 3



SN. 参照号码	PART NO. 零件编号	DESCRIPTION 零件名称(中文)	DESCRIPTION 零件名称(英文)	QTY 数量					REMARKS 备注
1	GB/T5783-M6x16	六角螺栓 M6x16	BOLT M6x16	2					
2	GB/T97.1-6	平垫圈 6	WASHER 6	2					
3	GB/T818-M3x14	十字槽盘头螺钉 M3x14	SCREW M3x14	2					
4	F8-0300021BW	微动开关固定板	PLATE, INCHING SWITCH	1					
5	F15-13000800W	微动开关 (KW7-0)	INCHING SWITCH	1					
6	GB/T6170-M3	六角螺母 M3	NUT M3	2					
7	F8-03000300BW	启动开关组件	STARTUP SWITCH ASSY	1					
8	GB/T818-M4x12	十字槽盘头螺钉 M4x12	SCREW Mx12	1					
9	GB/T97.1-4	平垫圈 4	WASHER 4	1					
10	F25-03030005BW	制动器摇臂 C	ROCKER C, ARRESTER	1					

零部件名称: 水下装置壳体&驱动系统

PARTS NAME: LOWER CASING & DRIVE



零件名称:	水下装置壳体&驱动系统
-------	-------------

PARTS NAME:	LOWER CASING & DRIVE
-------------	----------------------

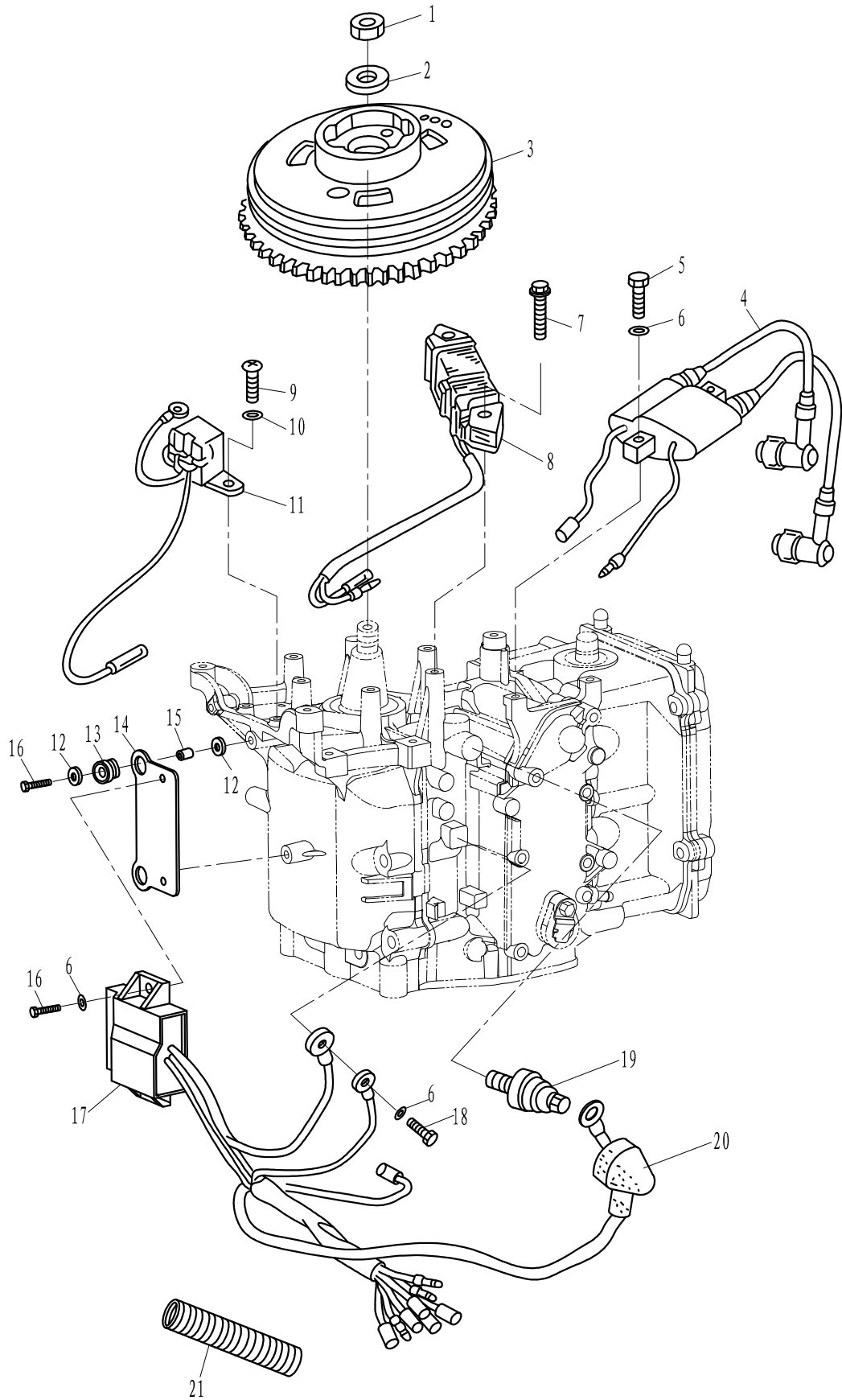
SN. 参照号码	PART NO. 零件编号	DESCRIPTION 零件名称(中文)	DESCRIPTION 零件名称(英文)	QTY 数量					REMARKS 备注
1	F8-04000001	水下装置壳体	LOWER CASING	1					
2	F4-03000024	注油孔螺栓密封垫	GASKET	3					
3	F4-03000023	注油孔螺栓	PLUG, OIL HOSE	3					
4	F8-04000017	进水口	WATER INLET	2					
5	GB/T823-M4X25	十字槽小盘头螺钉 M4X25	SCREW M4X25	1					
6	GB/T889.1-M4	六角锁紧螺母 M4	NUT, HEXAGON M4	1					
7	GB/T5783-M6X25	六角螺栓 M6X25	BOLT, HEXAGON M6X25	3					
8	GB/T97.1-6	平垫圈6	WASHER 6	11					
9	F8-04000018	水下阳极	ANODE	1					
10	GB/T5783-M6X35	六角螺栓 M6X35	BOLT, HEXAGON M6X35	4					
11	F2.6-03000009	O形密封圈	O-RING	1					
12	GB/T276-6004	深沟球轴承6004	BEARING 6004	1					
13	F8-04040002	水下壳盖O形圈	O-RING	1					
14	F8-04000014	倒档齿轮	GEAR, REVERSE	1					
15	F8-04040001	水下壳体盖	COVER, LOWER CASING	1					
16	F8-04000012	倒档齿轮垫圈	WASHER	1					
17	GB/T6170-M5	六角螺母 M5	NUT, HEXAGON M5	1					
18	F8-04000004-1	驱动轴填隙片 0.10mm	SHIM 0.10mm						
	F8-04000004-2	驱动轴填隙片 0.15mm	SHIM 0.15mm						
	F8-04000004-3	驱动轴填隙片 0.20mm	SHIM 0.20mm						
19	F8-04040004	螺旋桨轴油封15X28X10	OIL SEAL	1					
20	F8-04040000	水下装置壳体盖组件	COVER ASSY, LOWER CASING	1					
21	F8-04000016	水封密封垫	GASKET, WATER SEAL	1					
22	F8-04000015	水封	WATER SEAL	1					
23	F8-04020001 (L)	驱动轴组件(L)	DRIVE SHAFT ASSY (L)	1					L
	F8-04020001 (S)	驱动轴组件(S)	DRIVE SHAFT ASSY (S)	1					S
24	F8-04000007	外挡板	OUTER PLATE	1					
25	F8-04000006	外挡板下密封垫	GASKET, OUTER PLATE	1					
26	F8-04000011	O形圈挡板	PLATE, O-RING	1					
27	F8-04000101	水泵座油封 12.1X24X8	OIL SEAL	1					
28	F8-04000005	水泵座密封垫	GASKET, WATER PUMP SEAT	1					
29	F8-04000008	外挡板上密封垫	GASKET, OUTER PLATE	1					
30	F8-04000200	水泵叶轮	IMPELLER	1					
31	F8-04000010	水泵内壳	INNER SHELL, WATER PUMP	1					
32	F8-04000009	水泵壳体	WATER PUMP	1					
33	F8-04000301	螺旋桨轴	SHAFT, PROPELLER	1					
34	F8-04000302	离合器弹簧	SPRING, CLUTCH	1					
35	F8-04000305	离合器销	PIN, CLUTCH	1					
36	F8-04000102	水泵座	WATER PUMP SEAT	1					
37	F8-04000303	爪形离合器	CLUTCH, DOG	1					
38	GB/T879.1-3.5X28	重型直槽弹性圆柱销 3.5X28	PIN 3.5X28	1					
39	F8-04010000	正档齿轮组件	GEAR, FORWARD	1					
40	GB/T276-6204	深沟球轴承 6204	BEARING 6204	1					

零部件名称:

电气 1

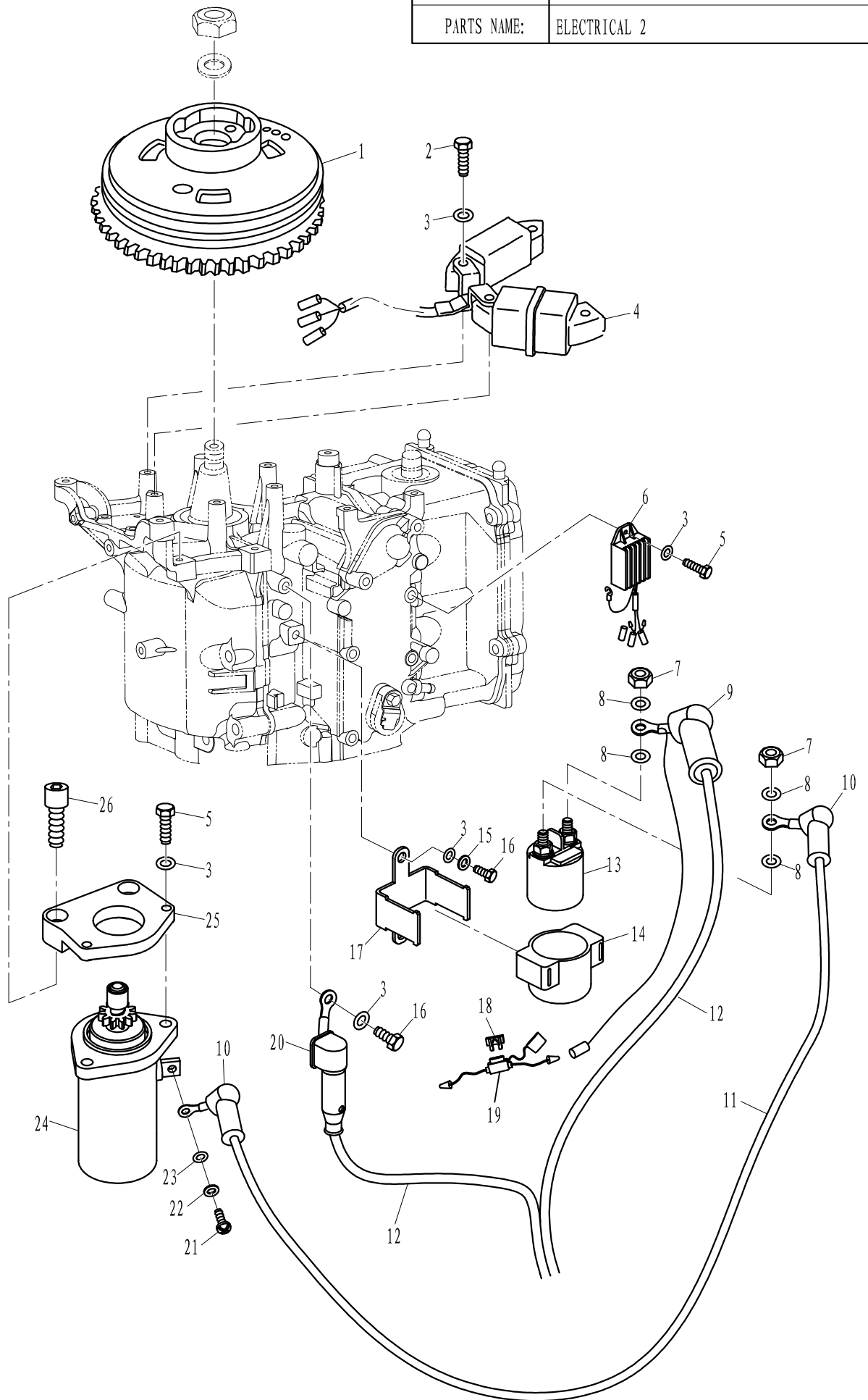
PARTS NAME:

ELECTRICAL 1



零部件名称: 电气 2

PARTS NAME: ELECTRICAL 2

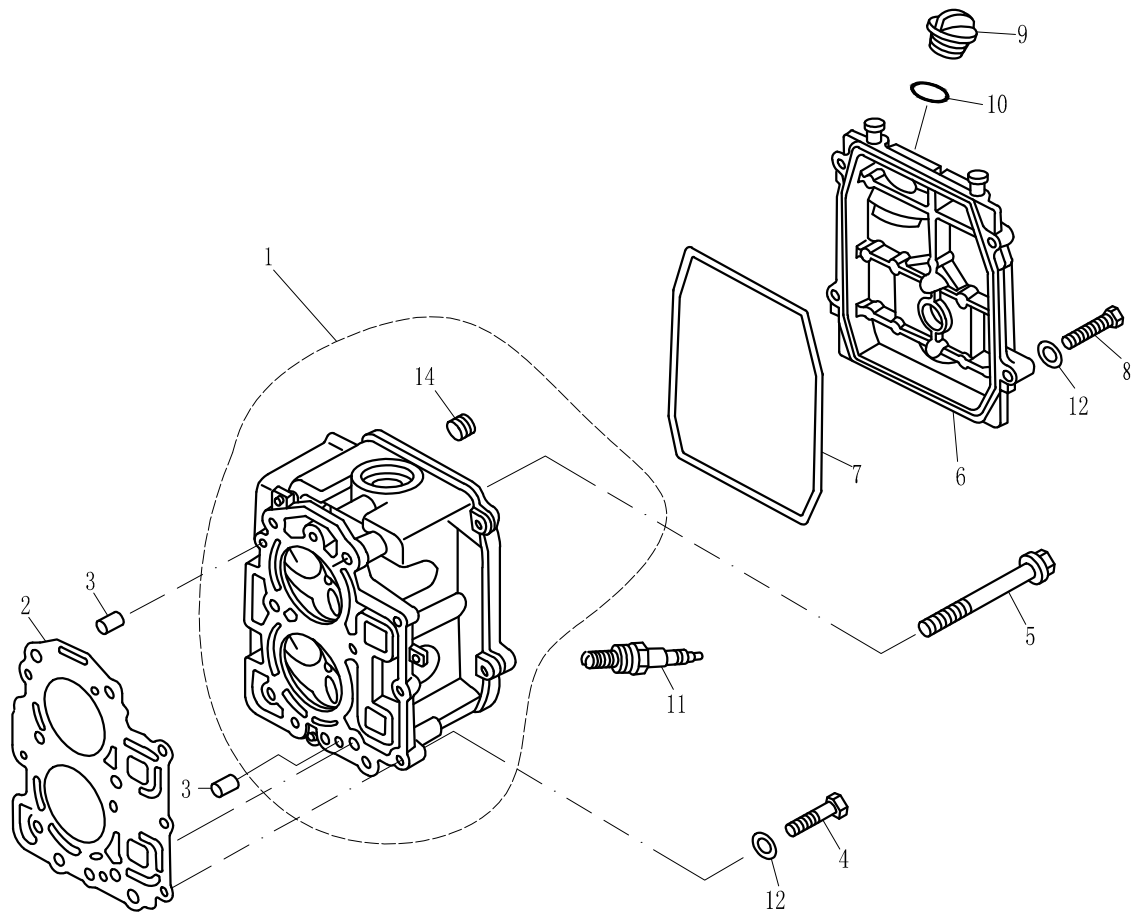


零部件名称:

气缸头

PARTS NAME:

CYLINDER HEAD



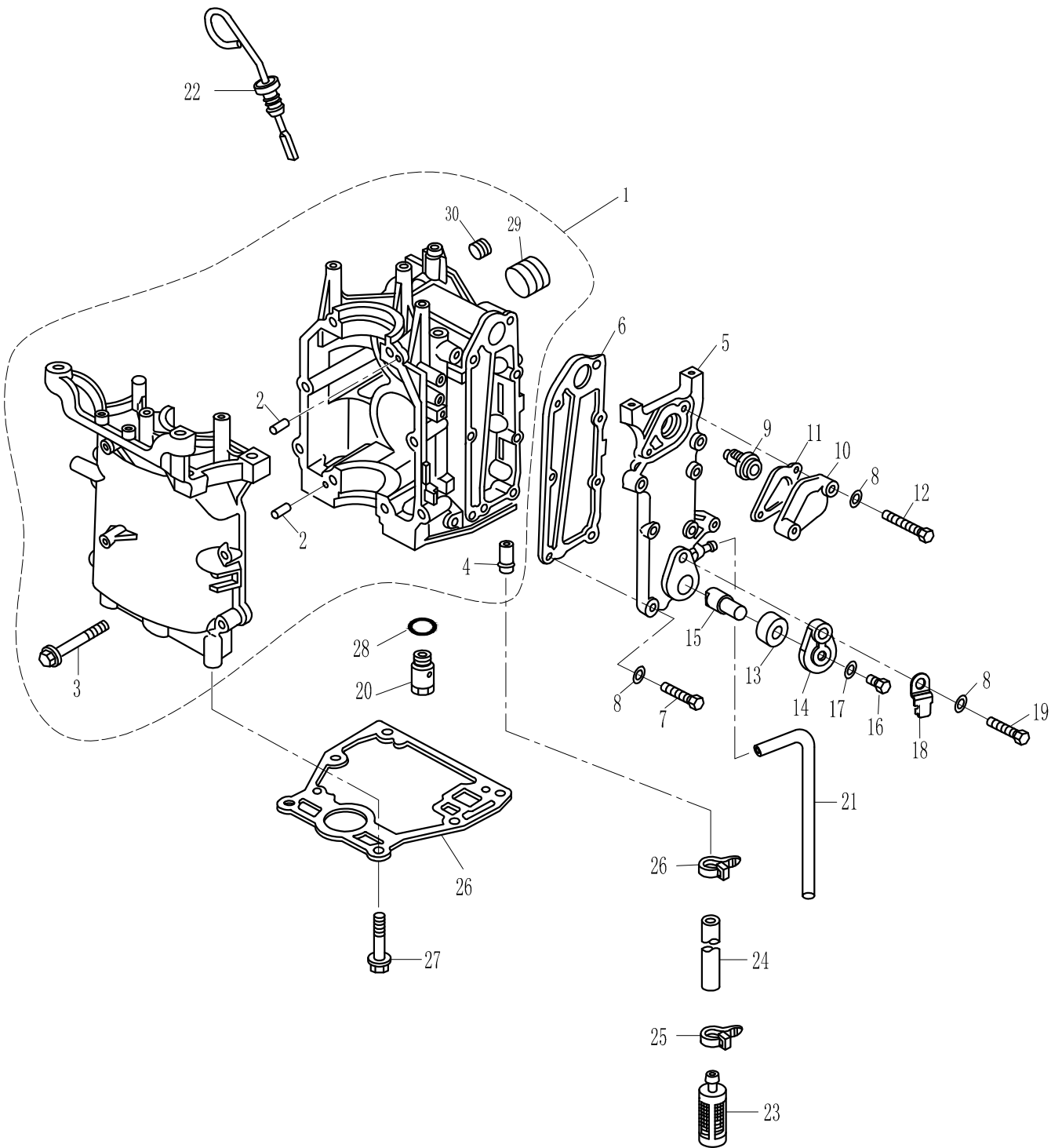
参照号码	PART NO. 零件编号	DESCRIPTION 零件名称 (中文)	DESCRIPTION 零件名称 (英文)	QTY 数量					REMARKS 备注
1	F8-05030100	气缸头组件	CYLINDER HEAD ASSY	1					
2	F8-05000100	气缸垫组件	CYLINDER HEAD GASKET	1					
3	F15-00000006	定位销 6x12	KNOCK 6x12	2					
4	F8-05000022	六角螺栓 M6x25	BOLT M6x25	3					
5	F4-04000039	六角凸缘螺栓 M8x50	BOLT M8x50	6					
6	F8-05000001	缸头罩	CYLINDER HEAD COVER	1					
7	F8-05000002	缸头罩密封圈	CYLINDER HEAD COVER GASKET	1					
8	GB/T5783-M6x25	六角螺栓 M6x25	BOLT M6x25	4					
9	F15-07050004	加油口盖	FILLER CAP, ENGINE OIL	1					
10	JASO F404 35 025	加油口盖密封圈	O-RING	1					
11	NGK DPR7EA-9	火花塞	SPARK PLUG	2					
12	GB/T97.1-6	平垫圈 6	WASHER 6	7					
13	F15-07010005	堵塞 1/4"	STOPPER 1/4"	2					

零部件名称:

曲轴箱

PARTS NAME:

CRANK CASE

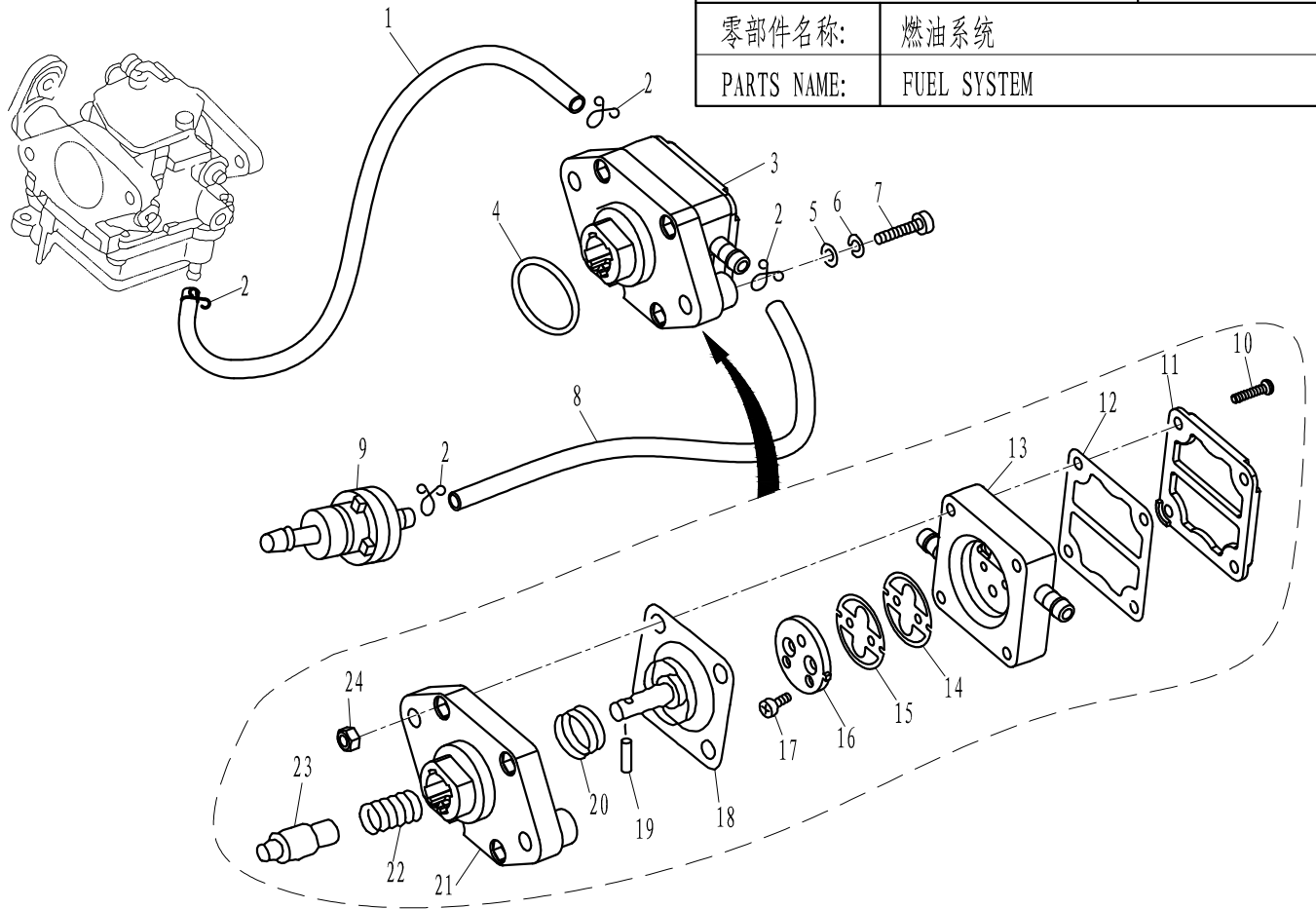


零部件名称:

燃油系统

PARTS NAME:

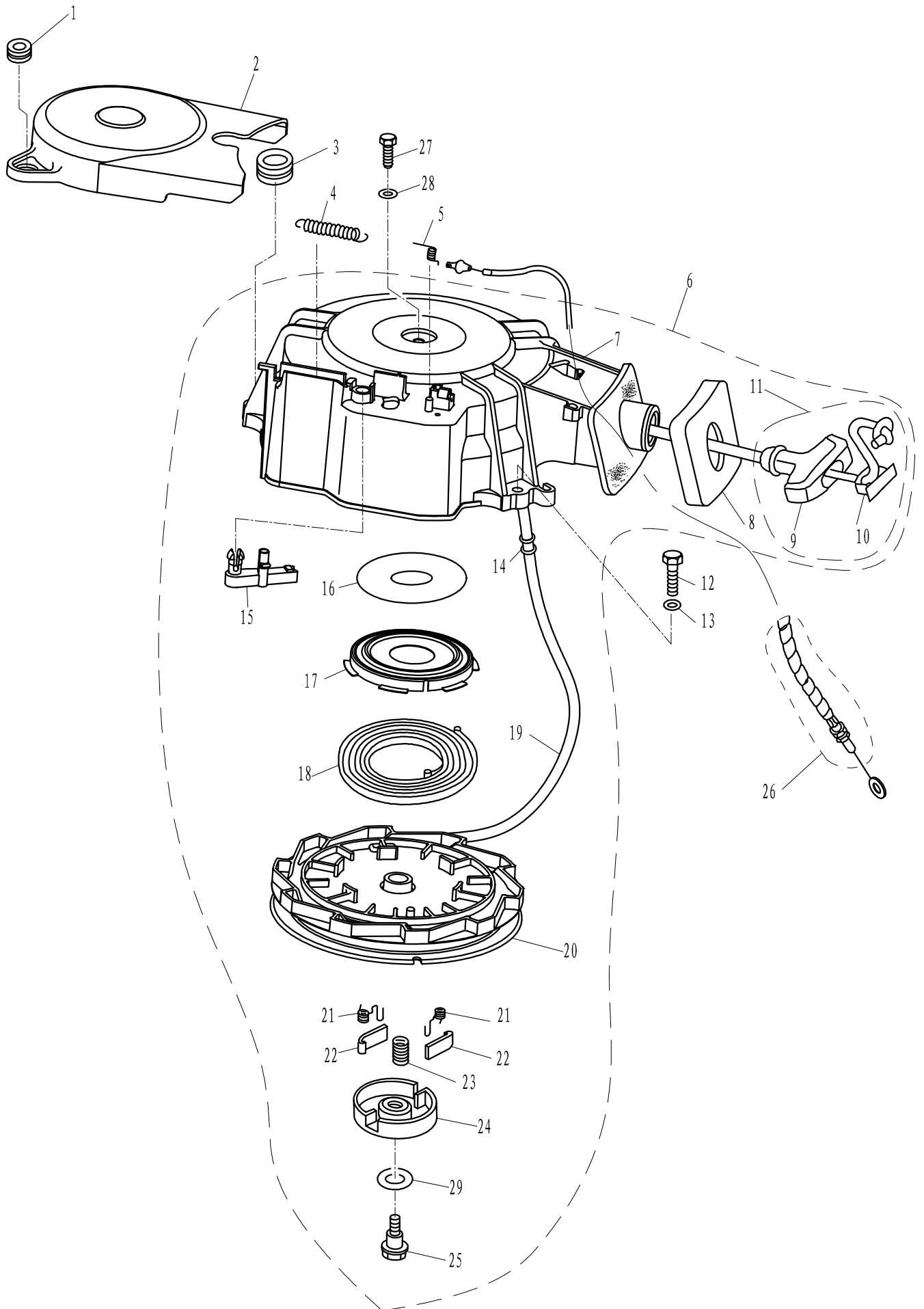
FUEL SYSTEM



SN. 参照号码	PART NO. 零件编号	DESCRIPTION 零件名称(中文)	DESCRIPTION 零件名称(英文)	QTY 数量					REMARKS 备注
1	F8-05000015	油泵燃油管(出) $\phi 10 \times \phi 5 \times 280$	FUEL HOSE	1					
2	F4-04000030	油管夹簧B	CLIP "B", FUEL HOSE	4					
3	F8-05070000	燃油泵组件	FUEL PUMP ASSY	1					
4	JASO F404-A-24-021	燃油泵O型圈	O-RING, FUEL PUMP	1					
5	GB/T97.1-6	平垫圈 6	WASHER 6	2					
6	GB/T93-6	弹簧垫圈 6	SPRING-WASHER 6	2					
7	GB/T5783-M6X30	六角螺栓 M6X30	BOLT M6X30	2					
8	F8-05000014	油泵燃油管(进) $\phi 10 \times \phi 5 \times 180$	FUEL HOSE	1					
9	F4-05000300	燃油过滤器组件	FUEL FILTER ASSY	1					
10	GB/T823-M4X25	十字槽小盘头螺钉M4X25	SCREW, SMALL PAN HEAD M4X25	4					
11	F4-04090003	燃油泵盖	COVER, FUEL PUMP	1					
12	F4-04090004	上隔膜	TOP DIAPHRAGM	1					
13	F4-04090100A	燃油泵壳	SHELL, FUEL PUMP	1					
14	F4-04090001A	瓣膜B	VALVE "B"	1					
15	F4-04090002A	瓣膜A	VALVE "A"	1					
16	F4-04090003A	隔膜限位块	LIMITING BLOCK, SEPTUM	1					
17	GB/T819.2-M3X5	十字槽沉头螺钉M3X5	SCREW M3X5	2					
18	F4-04090100	隔膜组件	DIAPHRAGM ASSY	1					
19	GB/T309-3X12	滚针 $\phi 3 \times 12$	ROLLER NEEDLE $\phi 3 \times 12$	1					
20	F4-04090008	隔膜弹簧	SPRING, DIAPHRAGM	1					
21	F4-04090001	燃油泵座	SEAT, FUEL PUMP	1					
22	F4-04090007	柱塞弹簧	SPRING, PLUNGER	1					
23	F8-05070001	柱塞	PLUNGER	1					
24	GB/T6170-M4	螺母 M4	NUT M4	4					

零部件名称: 起动器

PARTS NAME: STARTER

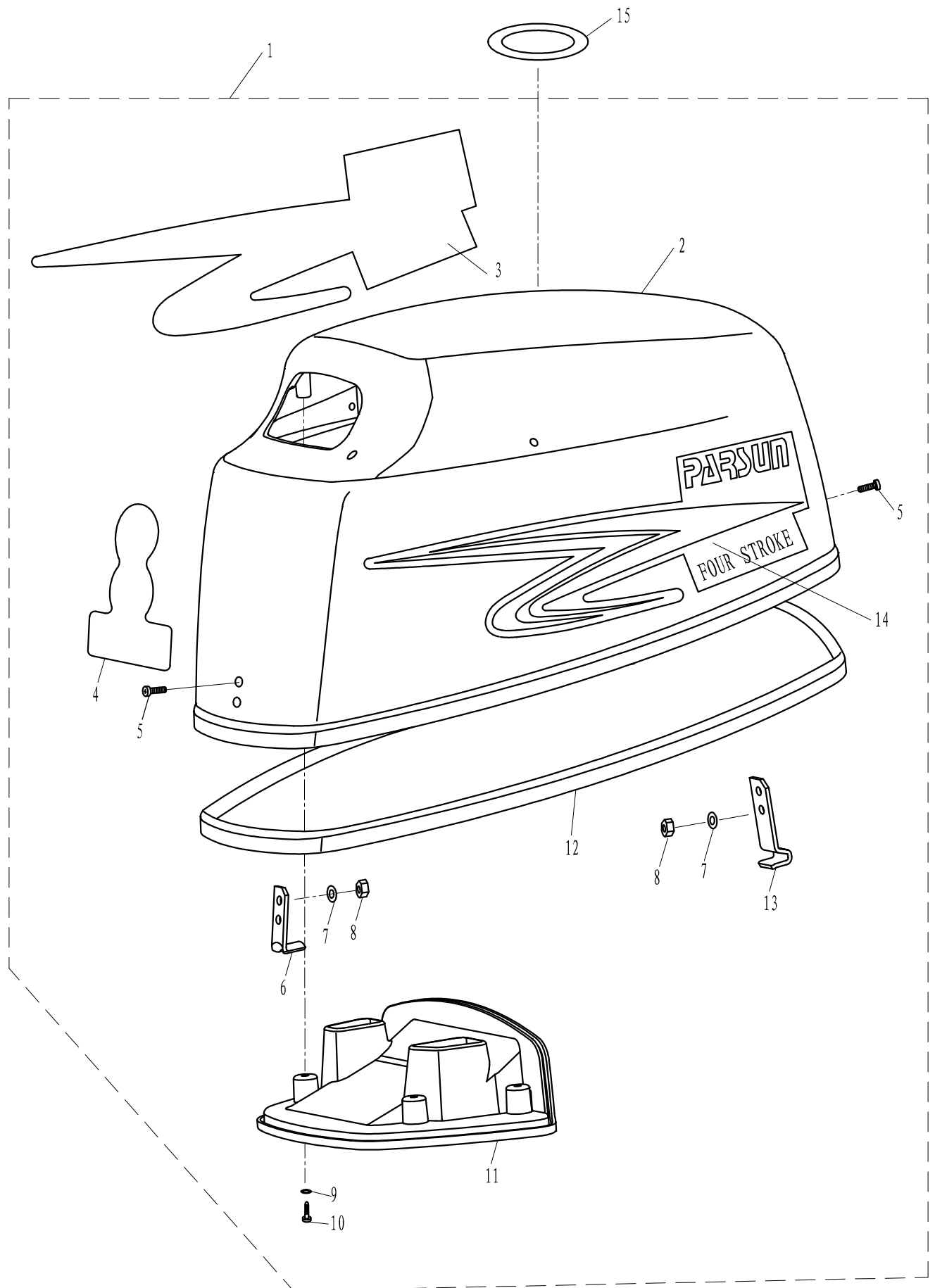


零部件名称:

顶罩组件

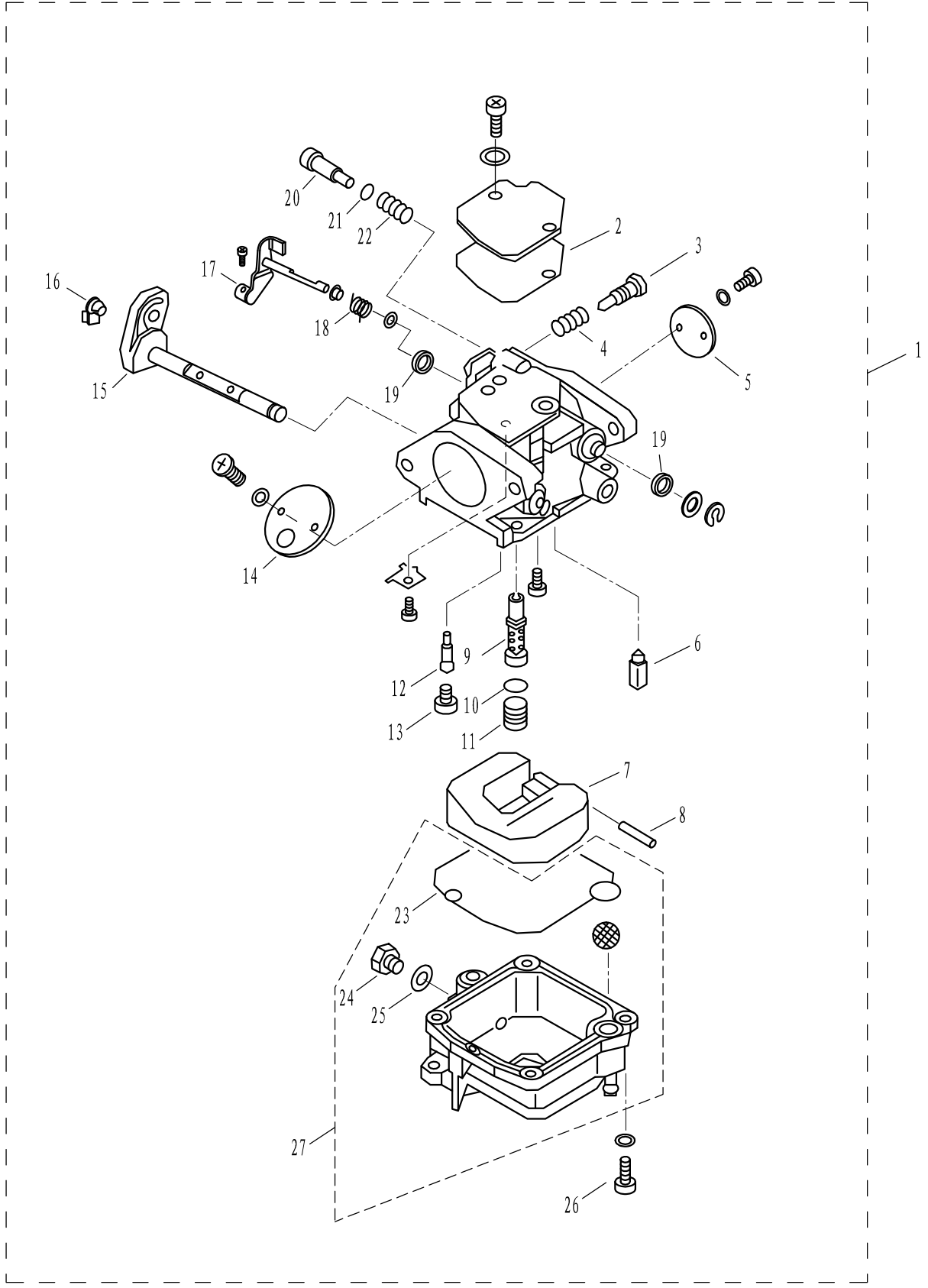
PARTS NAME:

TOP COWLING ASSY



零部件名称: 化油器

PARTS NAME: CARBURETOR

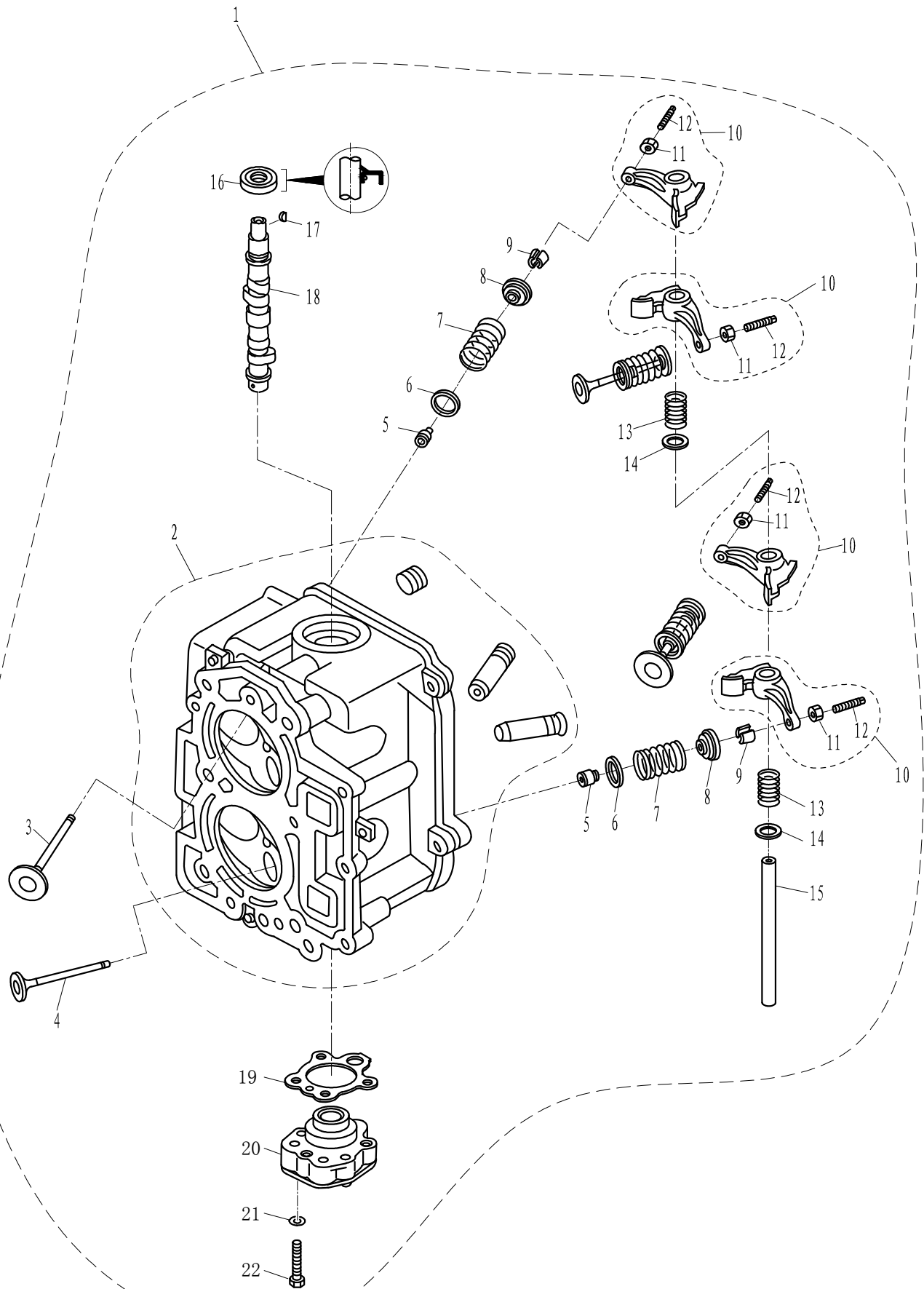


零部件名称:

气缸头总成(维修件)

PARTS NAME:

CYLINDER HEAD ASSY (REPAIR KIT)

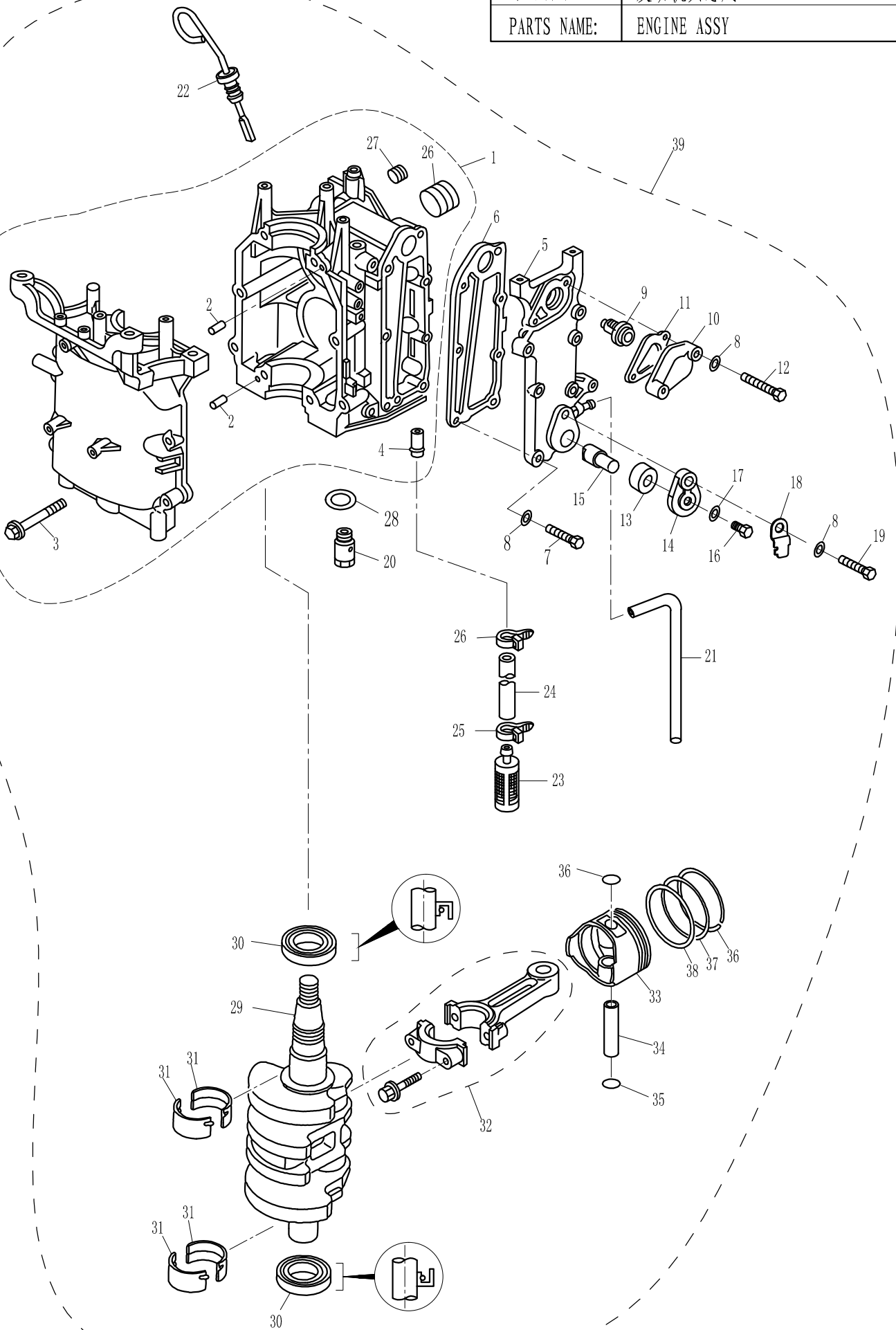


零部件名称:

发动机头总成

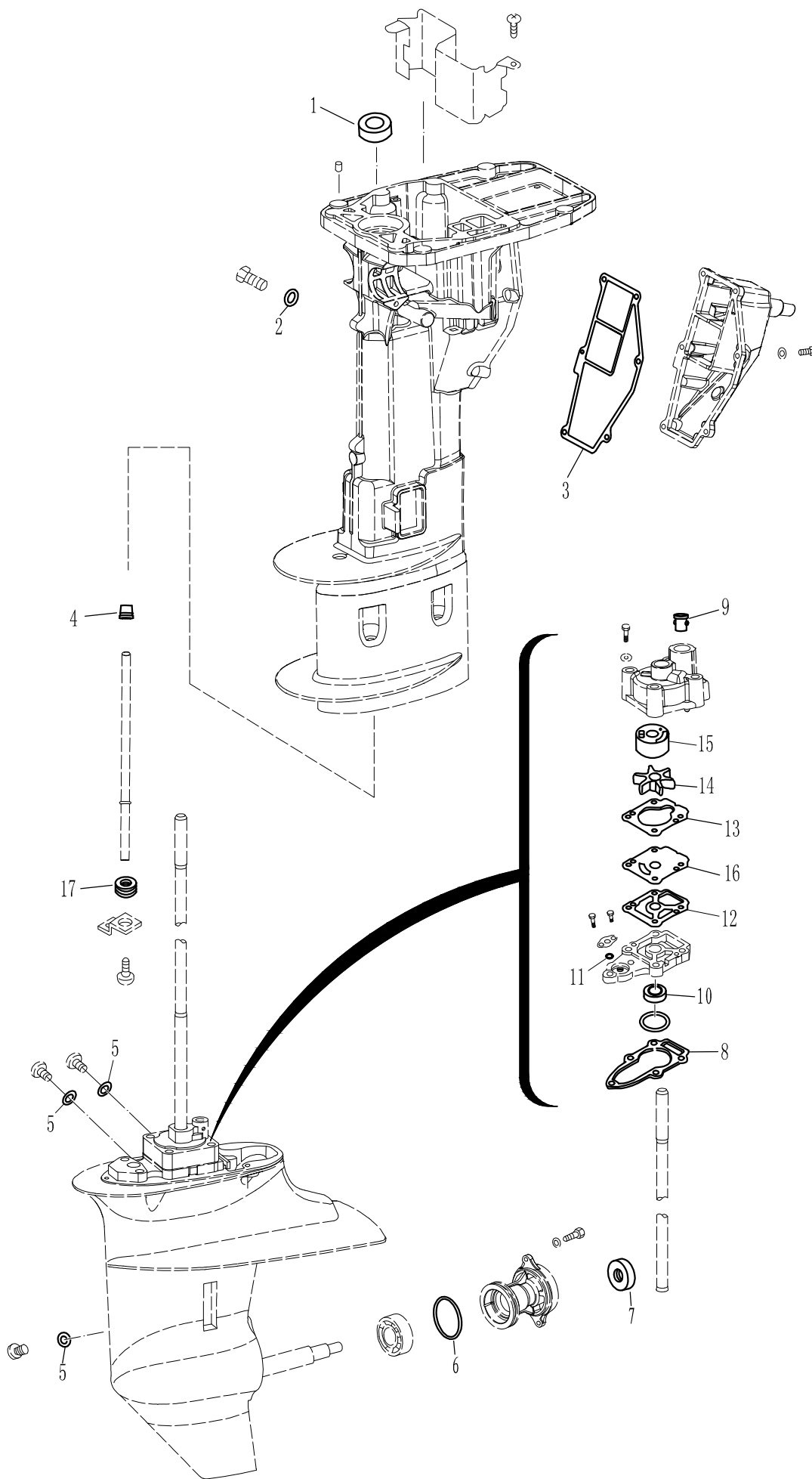
PARTS NAME:

ENGINE ASSY



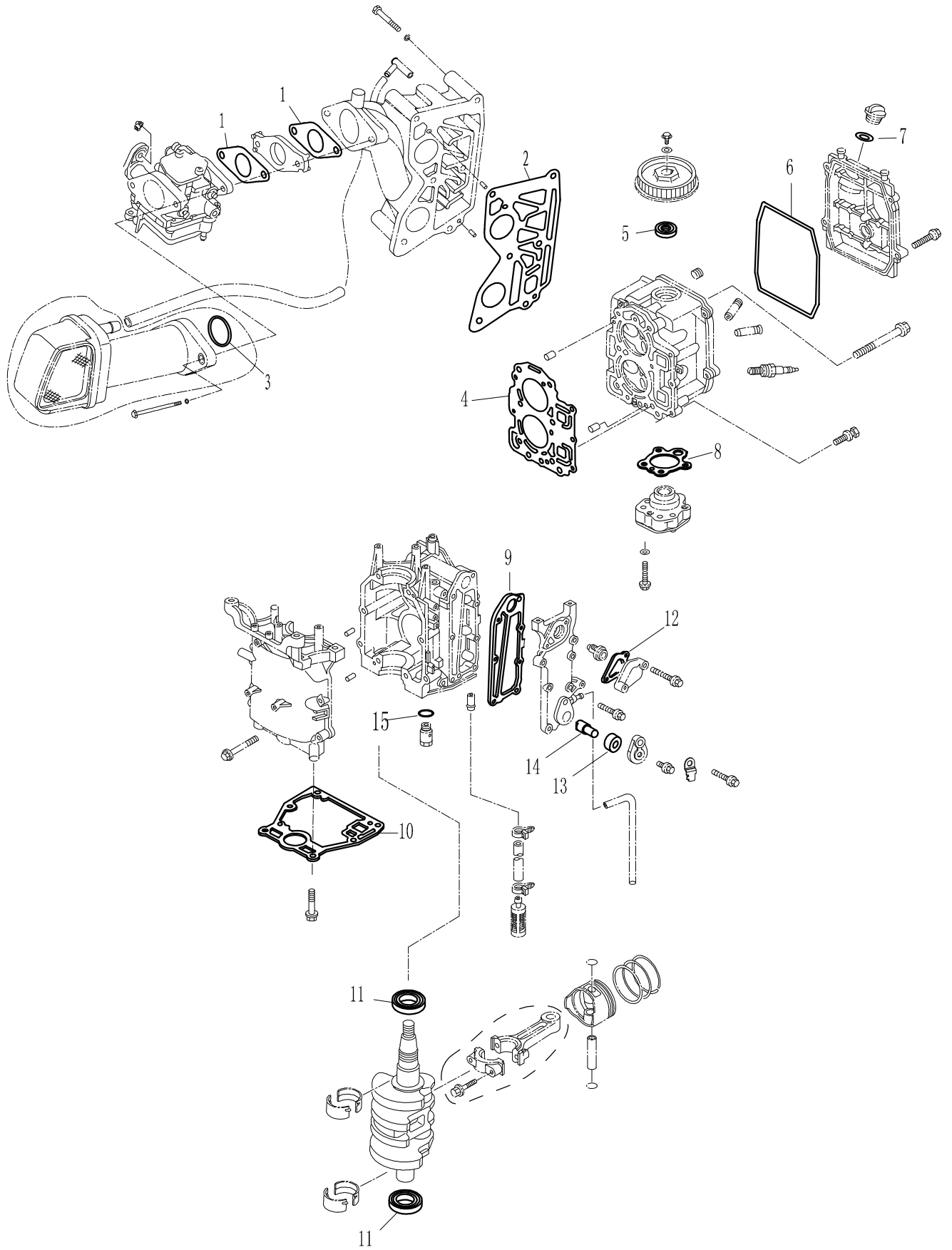
零部件名称: 附件 I (维修件)

PARTS NAME: APPENDIX I (REPAIR KIT)



零部件名称: 附件 II (维修件)

PARTS NAME: APPENDIX II (REPAIR KIT)



零部件名称:

零件检索表

PARTS NAME:

PARTS CATALOGUE INDEX

零件代号 PART NO.	页码/序号 PAGE/NO.	零件代号 PART NO.	页码/序号 PAGE/NO.	零件代号 PART NO.	页码/序号 PAGE/NO.
E4-0700001W	4-9	F15-1002000	37-6	F25-03030005BW	17-10
E4-0700002W	4-8	F15-11000001W	8-10	F25-05090100W	24-19
E4-07010002W	4-17	F15-11000002W	8-5	F25-05170201W	24-20
E4-07020015W	9-65	F15-12000001	36-14	F25-05170202W	24-9
E4-10040100W	9-55	F15-12000002	36-3	F25-05170401W	24-10
F15-00000006	26-3	F15-12000013W	9-50	F25-07000005W	16-6
F15-00000006	29-2	F15-12000016W	8-37	F25-07000006W	4-1
F15-00000012	15-14	F15-13000001W	8-36	F25-07000007W	8-30
F15-00000012	16-8	F15-13000002W	8-31	F25-07000200W	16-5
F15-01000015	13-5	F15-13000003W	8-34	F25-07000303W	4-16
F15-01010007	4-7	F15-13000004W	8-35	F25-07000304W	4-15
F15-04000002	11-25	F15-13000005W	8-8	F25-07150302W	24-17
F15-04000003	11-24	F15-13000006W	9-47	F4-01000002	2-11
F15-05000023	13-23	F15-13000007W	8-28	F4-01000003	2-18
F15-05000029	34-4	F15-13000008W	8-39	F4-01010002	2-16
F15-05000100BW	17-7	F15-13000011W	9-48	F4-01010003	2-17
F15-05030000	13-22	F15-13000012W	9-49	F4-01010004	2-14
F15-06000016	20-53	F15-13000013W	8-17	F4-01010005	2-15
F15-07000003	22-21	F15-13000014W	8-11	F4-01030103	2-48
F15-07000016W	25-6	F15-13000015W	9-51	F4-01050002	2-9
F15-07000017	25-8	F15-13000200W	8-3	F4-01090003	6-5
F15-07000018	25-9	F15-13000202W	8-15	F4-01090006	6-23
F15-07000031	29-9	F15-13000203W	8-14	F4-01090007	6-22
F15-07010004	11-2	F15-13000300W	9-44	F4-01090200	6-14
F15-07010004	29-30	F15-13000400W	8-13	F4-01090300	6-19
F15-07010005	26-13	F15-13000500W	8-27	F4-01090303	6-21
F15-07010005	29-29	F15-13000601W	8-41	F4-01090401	6-11
F15-07010008	29-15	F15-13000602W	9-45	F4-01090401	8-12
F15-07010009	29-13	F15-13000700W	8-40	F4-03000023	19-3
F15-07010011	29-14	F15-13000800W	8-33	F4-03000024	19-2
F15-07010012	29-18	F15-13000800W	17-5	F4-04000019	27-12
F15-07010101	22-20	F15-13010001W	9-56	F4-04000030	13-29
F15-07010103	22-19	F15-13010002W	9-57	F4-04000030	32-2
F15-07020005	27-7	F15-13010004W	9-62	F4-04000039	26-5
F15-07040303	30-10	F15-13010005W	9-61	F4-04000039	29-3
F15-07040304	30-9	F15-13010008W	9-63	F4-04090001	32-21
F15-07050004	26-9	F15-13010009W	9-60	F4-04090001A	32-14
F15-07060001	24-6	F15-13010010W	9-52	F4-04090002A	32-15
F15-07130105	34-15	F15-13020000W	8-24	F4-04090003	32-11
F15-07130106	34-5	F15-13020001W	8-16	F4-04090003A	32-16
F15-07130303	13-7	F15-13020002W	8-20	F4-04090004	32-12
F15-07150200W	24-12	F15-13020003W	8-21	F4-04090007	32-22
F15-07150300W	24-13	F15-13020004W	8-22	F4-04090008	32-20
F15-07150301W	24-14	F15-13020005W	8-18	F4-04090100	32-18
F15-08000004	36-6	F15-13020006W	8-9	F4-04090100A	32-13
F15-08000005	36-13	F15-13020007W	8-7	F4-04130013	34-14
F15-09000000	37-1	F15-13020100W	8-19	F4-04130100	34-11
F15-10000002	37-8	F2. 6-03000009	19-11	F4-04130101	34-9
F15-10000003	37-7	F25-01010012W	4-14	F4-04130102	34-10
F15-10010000	37-3	F25-03000003	13-3	F4-05000200	13-6

零部件名称:

零件检索表

PARTS NAME:

PARTS CATALOGUE INDEX

零件代号 PART NO.	页码/序号 PAGE/NO.	零件代号 PART NO.	页码/序号 PAGE/NO.	零件代号 PART NO.	页码/序号 PAGE/NO.
F4-05000300	32-9	F8-02000100	1-2	F8-04000019	20-49
F4-06000004	36-9	F8-02010001	11-8	F8-04000020	20-50
F4-08000019	36-15	F8-03000001	13-1	F8-04000021	20-44
F4-08000104	6-12	F8-03000002	13-4	F8-04000101	19-27
F4-08000105	6-15	F8-03000003	13-8	F8-04000102	19-36
F8-00000001	2-36	F8-03000004	13-2	F8-04000200	19-30
F8-00000002	2-33	F8-03000005	15-20	F8-04000301	19-33
F8-00000003	29-27	F8-03000007	13-10	F8-04000302	19-34
F8-00000004	29-26	F8-03000008	13-11	F8-04000303	19-37
F8-00000005	11-20	F8-03000010	15-6	F8-04000305	19-35
F8-00000006	11-7	F8-03000011	15-22	F8-04010000	19-39
F8-00000100	1-5	F8-03000012	13-25	F8-04020001 (L)	19-23
F8-00000200	29-22	F8-03000013	15-7	F8-04020001 (S)	19-23
F8-01000001	2-20	F8-03000014	13-13	F8-04030000 (L)	20-43
F8-01000002	2-21	F8-03000015FW	16-2	F8-04030000 (S)	20-43
F8-01000003	2-6	F8-03000021BW	17-4	F8-04040000	19-20
F8-01000100	2-22	F8-03000201	13-12	F8-04040001	19-15
F8-01010001	2-28	F8-03000202	13-9	F8-04040002	19-13
F8-01010101	2-19	F8-03010001	15-2	F8-04040003	20-57
F8-01010102	2-23	F8-03010002	15-9	F8-04040004	19-19
F8-01010103	2-44	F8-03010003	15-13	F8-04050000	20-51
F8-01010104	2-43	F8-03010005	15-5	F8-05000001	26-6
F8-01010105	2-45	F8-03010006	15-4	F8-05000002	26-7
F8-01010106	2-37	F8-03010007	15-11	F8-050000023	25-5
F8-01010107	2-41	F8-03010008	13-17	F8-05000003	34-1
F8-01010108	2-31	F8-03010100	15-1	F8-05000004	31-14
F8-01010109	2-42	F8-03020000	13-27	F8-05000005	22-14
F8-01010110	2-39	F8-04000000 (L)	20-46	F8-05000006	22-15
F8-01010111	2-40	F8-04000000 (S)	20-46	F8-05000007	22-13
F8-01010112	2-38	F8-04000001	19-1	F8-05000008	25-13
F8-01010200	2-8	F8-04000002-1	20-41	F8-05000009	25-15
F8-01010300	2-47	F8-04000002-2	20-41	F8-05000010	15-19
F8-01020000	2-7	F8-04000003	20-42	F8-05000012	34-2
F8-01020000FW	4-6	F8-04000004-1	19-18	F8-05000013	34-3
F8-01030100	6-1	F8-04000004-2	19-18	F8-05000014	32-8
F8-01030200	6-8	F8-04000004-3	19-18	F8-05000015	32-1
F8-02000001	11-1	F8-04000005	19-28	F8-05000017	29-24
F8-02000002	11-15	F8-04000006	19-25	F8-05000018	15-16
F8-02000003	11-16	F8-04000007	19-24	F8-05000019	15-17
F8-02000004	11-3	F8-04000008	19-29	F8-05000020	15-15
F8-02000005	11-4	F8-04000009	19-32	F8-05000021	22-12
F8-02000006 (L)	11-12	F8-04000010	19-31	F8-05000022	26-4
F8-02000006 (S)	11-12	F8-04000011	19-26	F8-05000024	22-1
F8-02000007	11-13	F8-04000012	19-16	F8-05000025	29-25
F8-02000008	11-11	F8-04000013	20-58	F8-05000026	29-21
F8-02000009	11-10	F8-04000014	19-14	F8-05000027W	24-18
F8-02000010	11-6	F8-04000015	19-22	F8-05000100	26-2
F8-02000011	11-21	F8-04000016	19-21	F8-05000200	22-11
F8-02000012	11-22	F8-04000017	19-4	F8-05000300	22-8
F8-02000013	11-28	F8-04000018	19-9	F8-05000400	22-17

零部件名称:

零件检索表

PARTS NAME:

PARTS CATALOGUE INDEX

零件代号 PART NO.	页码/序号 PAGE/NO.	零件代号 PART NO.	页码/序号 PAGE/NO.	零件代号 PART NO.	页码/序号 PAGE/NO.
F8-05000500	22-4	F8-05040013	39-20	F8-09000700W	4-18
F8-05000600	22-3	F8-05040014	39-21	F8-09000701W	4-5
F8-05000700	25-12	F8-05040015	39-22	F8-10000000	37-2
F8-05000800	29-23	F8-05040019	39-6	F8-10000001	37-9
F8-05000900	29-20	F8-05040020	39-7	GB/3452.1-13.2x1.8	29-28
F8-05010000	29-1	F8-05040022	39-9	GB/T276-6004	19-12
F8-05010002	29-4	F8-05040023	39-11	GB/T276-6204	19-40
F8-05010003	29-5	F8-05040024	39-10	GB/T309-3X12	32-19
F8-05010004	29-6	F8-05040025	39-12	GB/T3452.1-35.5X1.8	25-4
F8-05010005	29-11	F8-05040026	39-13	PS2700.04.03	4-13
F8-05010006	29-10	F8-05040027	39-23	JASO F404 35 025	26-10
F8-05010009	27-3	F8-05040100	39-17	JASO F404 35-022	2-30
F8-05010012	27-2	F8-05040200	39-15	JASO F404-A-24-021	32-4
F8-05010014	31-11	F8-05040400	39-27	JB/T7940.1-M6	2-29
F8-05010015	31-12	F8-05040401	39-25	NGK DPR7EA-9	26-11
F8-05010016	31-13	F8-05040403	39-24	NSK FJ-1516	20-55
F8-05020001	27-1	F8-05050000	34-6	PS2700.04.03	30-3
F8-05020101	27-5	F8-05050002	34-16	T15-01000001	6-10
F8-05020102	27-8	F8-05050003	34-17	T15-01000002	6-9
F8-05020103	27-9	F8-05050004	34-18	T15-01000003	6-7
F8-05020104	27-10	F8-05050005	34-20	T15-01000004	6-4
F8-05020105	27-6	F8-05050006	34-22	T15-01000005	6-3
F8-05020200	27-4	F8-05050007	34-21	T15-01020001	6-16
F8-05020300	27-11	F8-05050008	34-24	T15-01020002	6-24
F8-05030001	30-1	F8-05050009	34-23	T15-01020003	6-6
F8-05030002	30-2	F8-05050010	34-25	T15-01020004	6-26
F8-05030004	30-4	F8-05050017	34-8	T15-02010100	2-34
F8-05030005	30-5	F8-05050018	34-19	T15-03000008	13-26
F8-05030006	30-6	F8-05050100	34-7	T15-03000012	13-24
F8-05030007	30-7	F8-05050200	34-26	T15-04000011	22-2
F8-05030008	31-1	F8-05060000	25-1	T15-13000000	8-1
F8-05030009	30-11	F8-05070000	32-3	T20-03000002	34-29
F8-05030010	30-13	F8-05070001	32-23	T3.6-04000006	31-8
F8-05030011	31-6	F8-05080000	25-11	T6-01010300	2-25
F8-05030012	31-3	F8-05090000W	24-4	T6-01010400	2-10
F8-05030014	31-10	F8-05090100W	16-9	T6-05000022	39-16
F8-05030015	30-12	F8-05090200W	24-11	T8-05040021	39-8
F8-05030100	26-1	F8-06000000	36-1	T85-08010100	8-4
F8-05030200	30-8	F8-06000001	36-2		
F8-05030300	31-2	F8-06000002	36-12		
F8-05030400	31-7	F8-06000003	36-11		
F8-05040000	25-7	F8-08000007	36-4		
F8-05040000	39-1	F8-08000008	36-4		
F8-05040002	39-2	F8-09000001W	16-7		
F8-05040005	39-18	F8-09000002W	4-11		
F8-05040007	39-19	F8-09000100W	16-1		
F8-05040008	39-5	F8-09000200W	16-4		
F8-05040009	39-3	F8-09000400W	24-24		
F8-05040010	39-4	F8-09000401W	24-25		
F8-05040012	39-14	F8-09000600W	24-1		